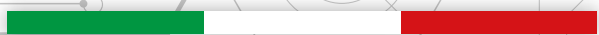


ELETTROMANDRINI
MTC
MTC
ELECTROSPINDLES



HITECO
HIGH TECHNOLOGY COMPONENTS



Componenti ad **alta tecnologia** per produttori di macchine utensili.

--
High-tech components for machine tool manufacturers.

Hiteco è specializzata nella progettazione e realizzazione di componenti elettromeccanici industriali ad alta tecnologia per le macchine utensili.

Elettromandrini A.T.C., elettromandrini M.T.C, teste birotative, teste di foratura ed aggregati.

--
Hiteco is specialized in design and manufacture of high technology industrial electromechanical components for machine tools. **A.T.C. electrospindles, M.T.C. electrospindles, birotary heads, boring units and aggregates.**



Hiteco si propone sul mercato internazionale con un'ampia gamma di prodotti per la lavorazione di: **legno, plastica, materiali avanzati, vetro, pietra e metallo.**

--
Hiteco offers a wide range of products on international market for **wood, plastic, advanced materials, glass, stone and metal processing.**



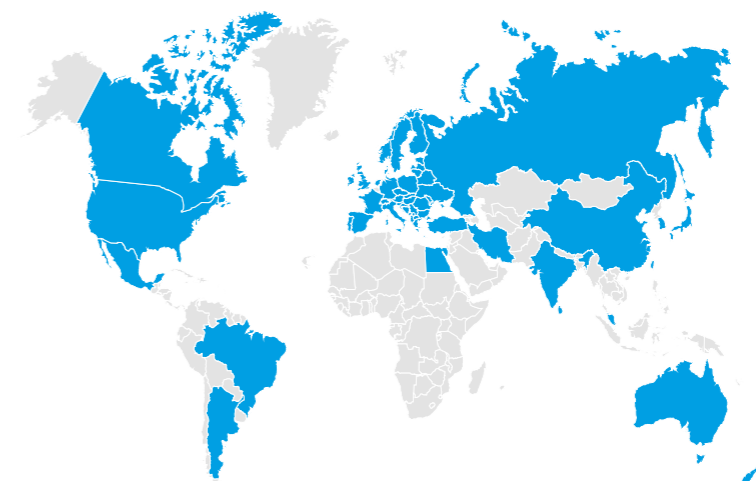
Hiteco nasce nel 1977 come divisione interna di **SCM Group**, azienda leader mondiale nella costruzione di macchine utensili per la lavorazione di una vasta gamma di materiali, realizzando un percorso di crescita esponenziale. Diventa nel 2008 **un'unità di profitto per servire il mercato terzi**. Oggi realizza prodotti di riferimento nel mercato dei componenti, diventando uno tra i più importanti player mondiali nel settore.

--
Hiteco founded in 1977 as an internal division of the **SCM Group**, leading company in machine tools construction for processing a wide range of materials, had an increasingly exponential growth. In 2008 it become **a profit unit for external customers**. Today Hiteco offers key products for the components market, becoming one of the most important world players in the sector.



Una **presenza capillare** per un **servizio best-in-class e worldwide.**

--
A capillary presence for a **best-in-class** and **worldwide service.**



La distribuzione capillare dell'azienda risponde alla volontà di Hiteco di essere vicina al cliente con la presenza sul territorio di **tecnici specializzati** che sono garanzia di una risposta estremamente rapida e professionale: non solo per ridurre fermi macchina e problemi alla produzione, ma anche per creare valore aggiunto con la proposta di soluzioni efficaci ed innovative. Questa attenzione, oltre ai ridotti tempi di consegna, è uno dei motivi che ha portato Hiteco ad avere la più alta **customer satisfaction** nel mercato internazionale.

--
The widespread distribution of the company responds to the desire of Hiteco to be close to the customer with the presence of **specialized technicians** on the territory who guarantee an extremely rapid and professional response: not only to reduce machine downtimes and production problems, but also to create added value with the proposal of effective and innovative solutions. Such care, in addition to reduced delivery times, is one of the reason that led Hiteco to have the highest **customer satisfaction** on the international market.



INDICE INDEX



Hiteco si riserva il diritto di apportare migliorie sulle tecnologie e i modelli presentati nel catalogo

Hiteco reserves the right to make improvements to the technologies and models presented in the catalog

Copyright © Hiteco. Tutti i diritti riservati.

Copyright © Hiteco. All rights reserved.

IDENTIFICAZIONE ELETTROMANDRINI / ELECTROSPINDLE IDENTIFICATION KEY

Example **QE 1F 10/TI 24 63F NC CB EN BT OQ IS**

MODELLO (DIMENSIONE CARCASSA) / MODEL (HOUSING DIMENSION)

QD	102 X 119,5 mm
	110 X 111 mm
QE	130 X 140 mm
QF	150 X 160 mm
QM	215 X 245 mm, 230x230 mm
QX	130 X 130 mm
PX	150 X 150 mm
HX	150 X 150 mm
QT	150 X 150 mm
HT	150 X 150 mm
HD	130 X 130 mm
KX	Ø 202 mm
ML/MA	Ø 158, Ø 166, 135 x 137, 157 x 165
MG	200 X 200 mm
QN	102 X 119,5 mm
MQH1	205 X 175 mm
XS	70 X 65 mm

RAFFREDDAMENTO / COOLING TYPE

1F= ELETTOVENTOLA/ ELECTROFAN	
1C= ARIA COMPRESSA/ PRESSED AIR	
2= LIQUIDO/LIQUID	
1= VENTOLA SU ALBERO/ FAN ON SHAFT	

POTENZA NOMINALE (S1) @ VELOCITÀ / RATED POWER (S1) @ SPEED

MAX POTENZA @ VELOCITÀ / MAX POWER @ SPEED

VELOCITÀ MAX / MAX SPEED

ATTACCO UTENSILE / TOOL HOLDER

63F = HSK63F
32E = HSK32E
40E = HSK40E
63E = HSK63E
85S = HSK85S
80F = HSK80F
63A = HSK63A
130 = ISO30
140 = ISO40
ER25
ER32
ER40
ALBERO/SHAFT, D=12, 16, 30, 40, 50

NASO MANDRINO / SPINDLE NOSE

NC= NASO CORTO/SHORT NOSE
NL= NASO LUNGO/LONG NOSE
CH = COMPACT SHORT NOSE
LH = COMPACT LONG NOSE

CONNESSIONE ELETTRICA / ELECTRIC CONNECTION

CB= CONNESSIONE BASE/ BASIC CONNECTION
CC= CONNESSIONE CIRCOLARE/ CIRCULAR CONNECTION
PP= CONNESSIONE RAPIDA/ PLUG AND PLAY CONNECTION
SC= SENZA CONNETTORE/ FLYING CABLE

ENCODER

ES= ENCODER 1 VPP (SYNUSOIDAL WAVE)
EN= ENCODER TTL (SQUARE WAVE)

VOLTAGGIO / VOLTAGE

BT= BITENSIONE / DUAL VOLTAGE 220V/380V
220 V

OPTIONAL

OQ=OIL MIST+MQL (Minimal Quantity Lubrication)
AT= AIR TOOL
OM= OIL MIST
CTS= LUBRIFICAZIONE CTS/ COOLANT THROUGH THE SHAFT

ALTRE VARIANTI/ OTHER VARIANTS

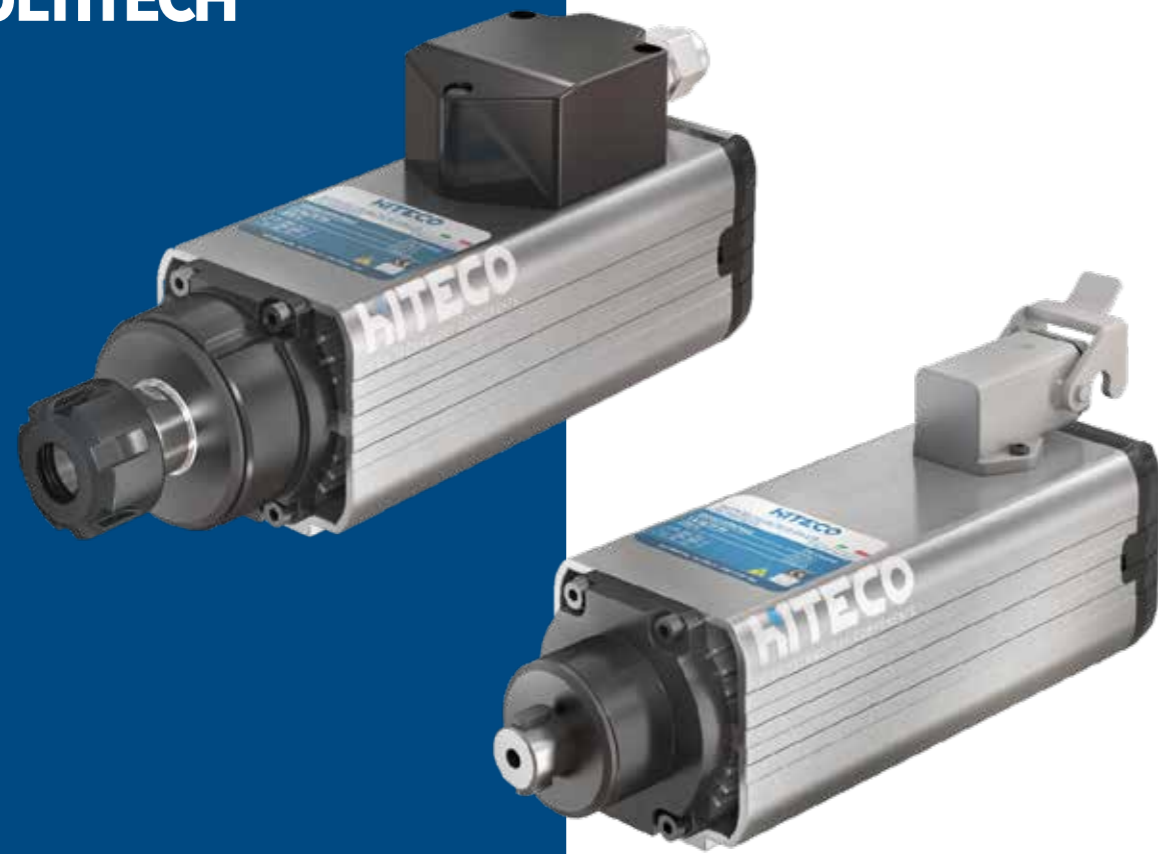
SENSORE DI VIBRAZIONE/ VIBRATION SENSOR		
MONITORAGGIO TEMPERATURA CUSCINETTI/ BEARING TEMPERATURE MONITORING		
MISURATORE DI VELOCITÀ/ SPEED MONITORING		
SS - SENSORE RITORNO PISTONE/ PISTON BACK SENSOR		
SENSORE DI TEMPERATURA/ TEMPERATURE SENSOR		
ISPINDLE - DIGITAL COMMUNICATION ON FIELDBUS/ COMUNICAZIONE DIGITALE SENSORI SU FIELDBUS		

MULTITECH	MULTITECH XS	MULTITECH S	MULTITECH QN	MULTITECH MA	MULTITECH ML	MULTITECH MQH
0.19/12 12		p. 17				
0.35/12 12	p. 10					
0.55/12 12	p. 11					
0.65/12 12	p. 12					
1/18 24	p. 9					
1.5/12 12		p. 18				
1.8/12 12		p. 19				
1.5/18 24		p. 15				
3/18 18			p. 21			
3/18 24			p. 16/22			
4.5/18 18			p. 21			
4.5/18 24			p. 22			
6.5/18 18			p. 25			
6.5/18 24			p. 25			
7.5/12 24				p. 27	p. 29/31/33	
8/6 9						p. 41
9.5/12 24					p. 35/37	
10/12 24					p. 29/31/33	
12/12 24					p. 35/37/39	
13/6 9						p. 41

ADDITIONAL EQUIPMENT	
C-AXIS FOR POWERTECH 300-400	p. 42
REFERENCE SLEEVE	p. 42
TOOL HOLDER	p. 43
TOOL FINGER	p. 43
HEAT EXCHANGER	p. 43



MULTITECH XS

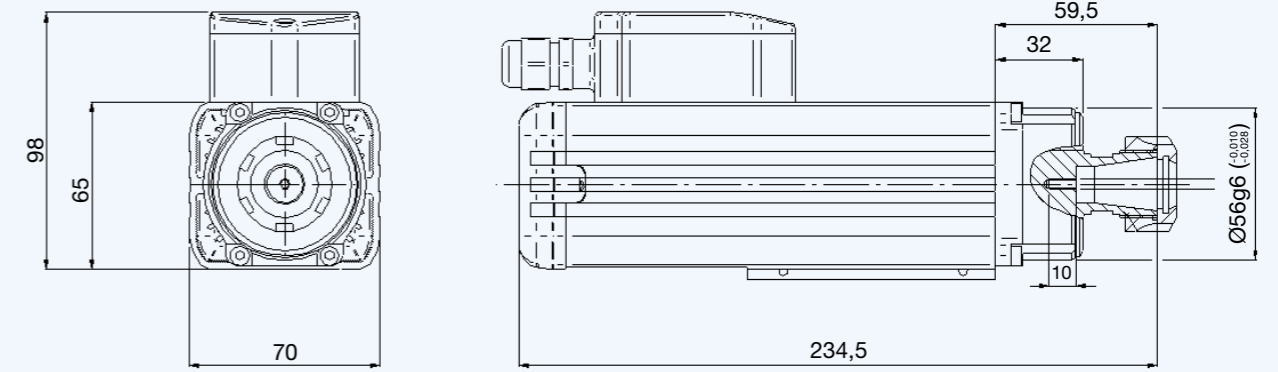


SUITABLE FOR MACHINING WOOD
EFFICIENT COOLING AND LOW NOISE LEVEL
SHAFT ROTATION SENSOR

LAYOUT ER20 DX BT - 1 KW

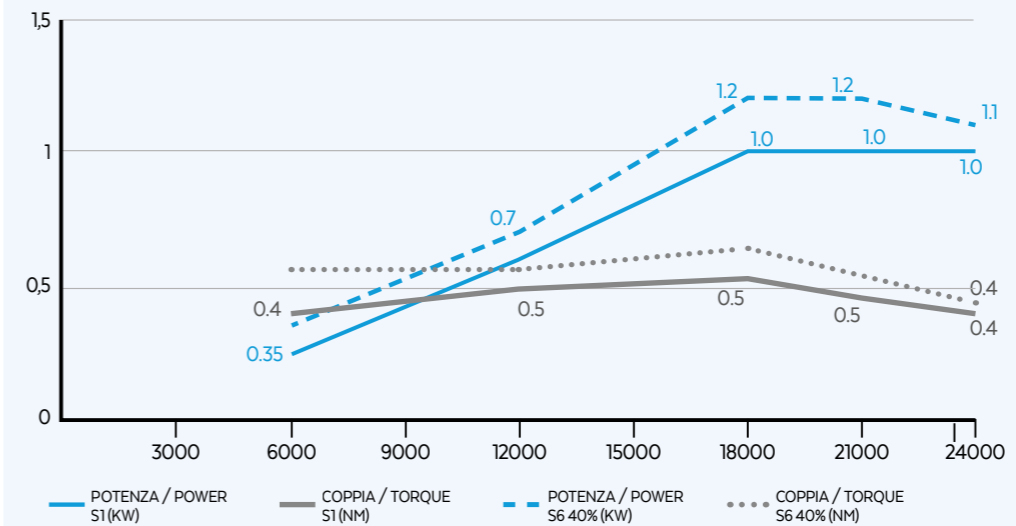


SPINDLES WITH ER COLLET



XS-11/18 24

PRESTAZIONI / PERFORMANCES



SPECIFICHE TECNICHE / TECHNICAL SPECIFICATIONS

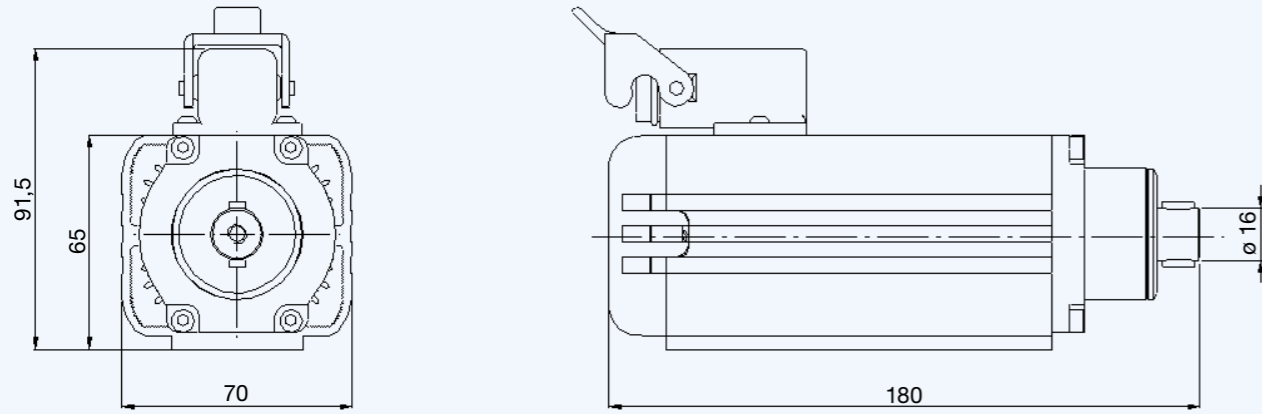
kW 1/1.2	A 3/3.5	Pol es 2
Nm 0.5/0.6	Volt 220/380	Supply inverter
rpm 24000	kg 3	

EQUIPAGGIAMENTO / EQUIPMENT

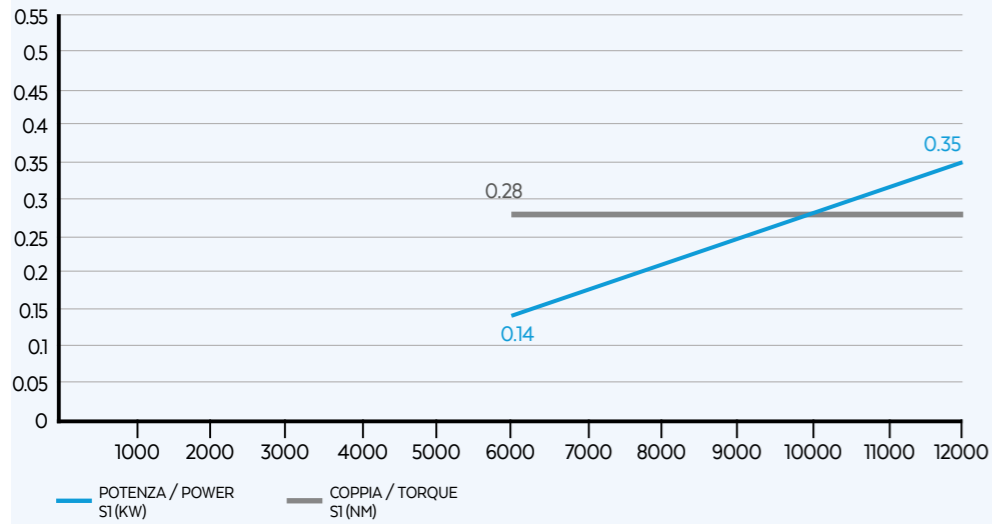
- ER 20DX
- Steel bearings
- Cooling by shaft-driven fan
- Grease lubrication
- Manual tool change (M.T.C)



SPINDLES WITH CYLINDRICAL SHAFT



PRESTAZIONI / PERFORMANCES



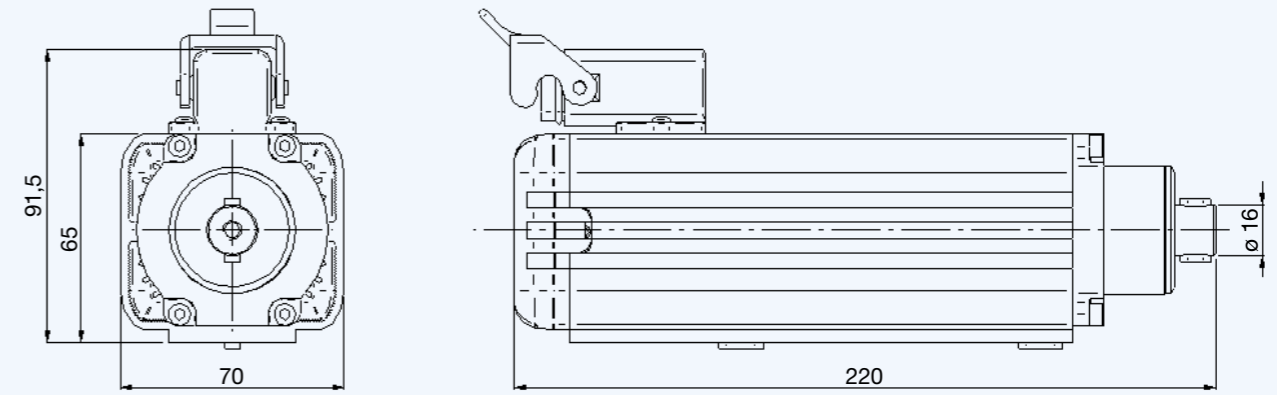
SPECIFICHE TECNICHE / TECHNICAL SPECIFICATIONS

0.35 kW **1.8 A** **2 Poles**
0.28 Nm **220 Volt** **inverter Supply**
12000 rpm **2.7 kg**

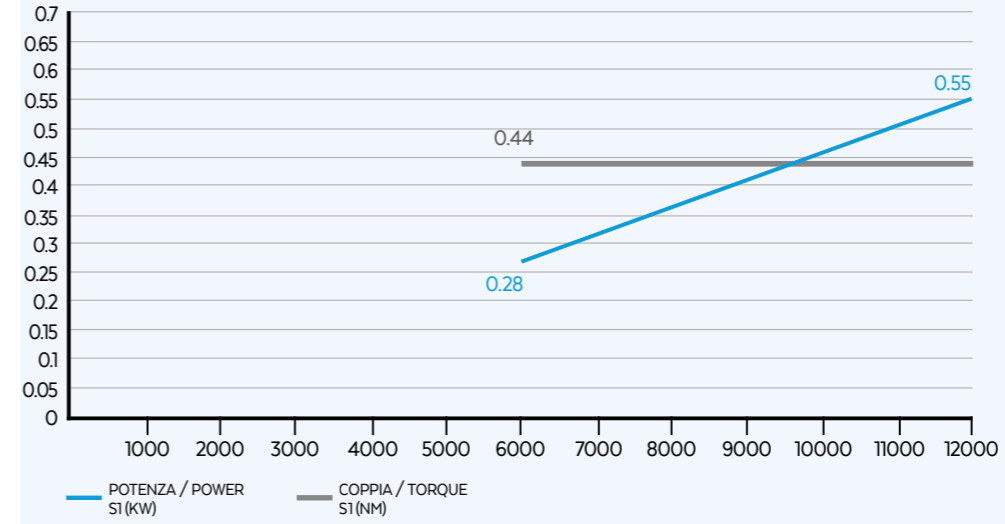
EQUIPAGGIAMENTO / EQUIPMENT

Shaft D16, Cooling by shaft-driven fan, Manual tool change (M.T.C.), Steel bearings, Grease lubrication

SPINDLES WITH CYLINDRICAL SHAFT



PRESTAZIONI / PERFORMANCES



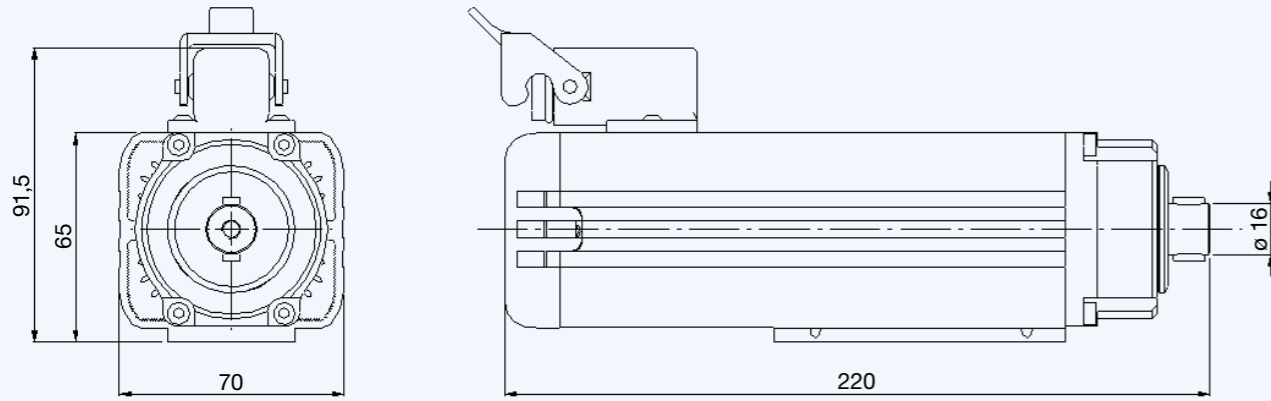
SPECIFICHE TECNICHE / TECHNICAL SPECIFICATIONS

0.55 kW **2.7 A** **2 Poles**
0.44 Nm **220 Volt** **inverter Supply**
12000 rpm **3.2 kg**

EQUIPAGGIAMENTO / EQUIPMENT

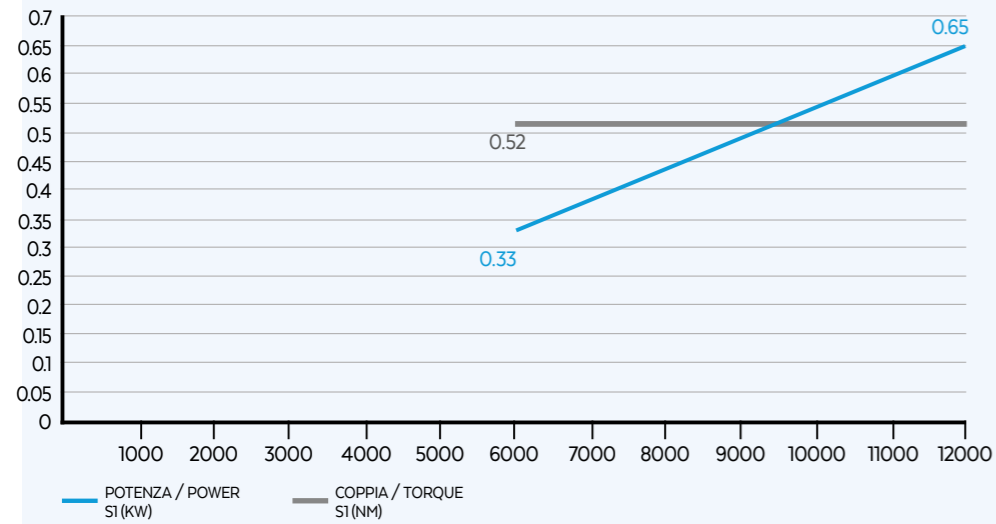
Shaft D16, Cooling by shaft-driven fan, Manual tool change (M.T.C.), Steel bearings, Grease lubrication

SPINDLES WITH CYLINDRICAL SHAFT



XS-1 0.65/12 12

PRESTAZIONI / PERFORMANCES

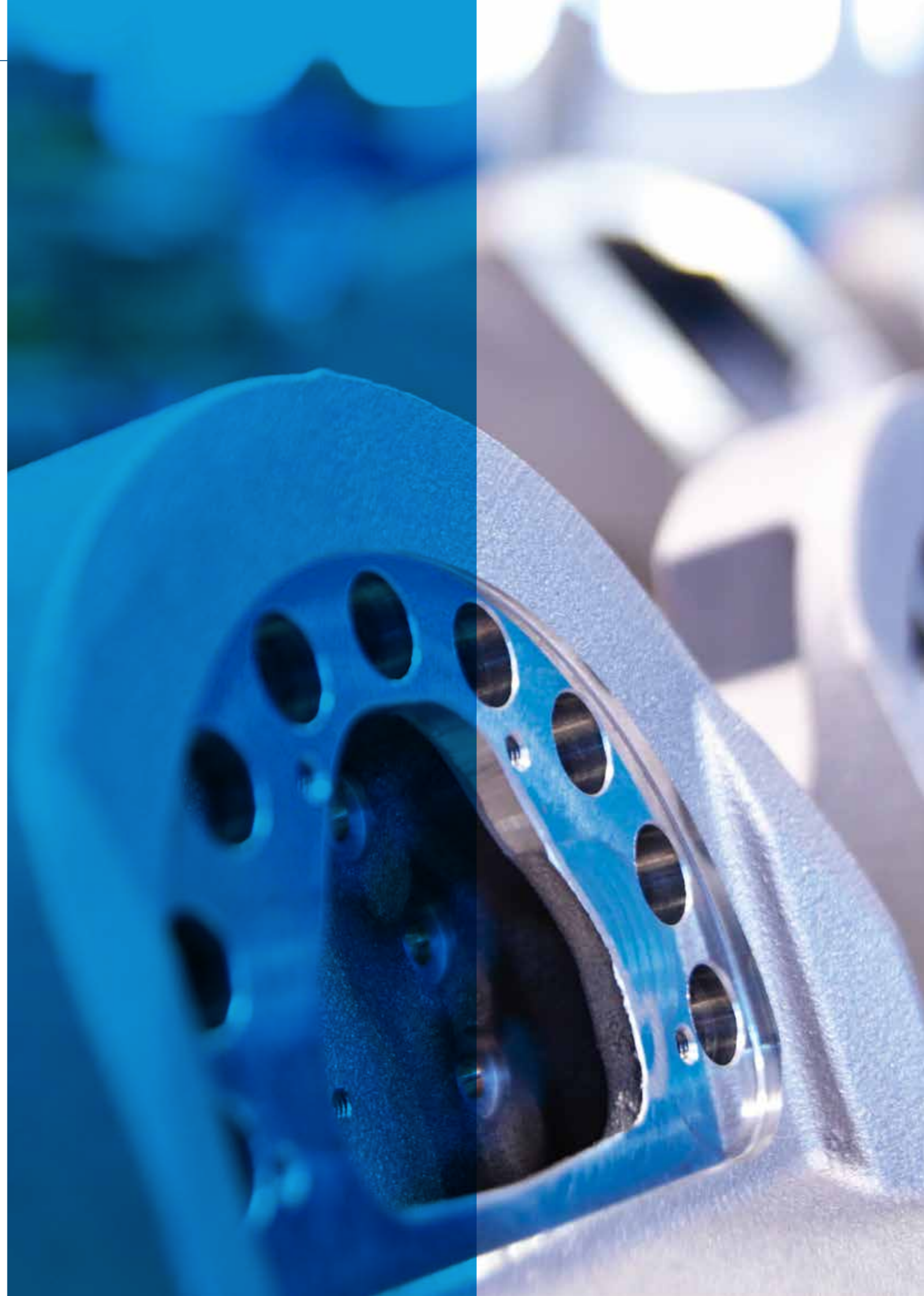


SPECIFICHE TECNICHE / TECHNICAL SPECIFICATIONS

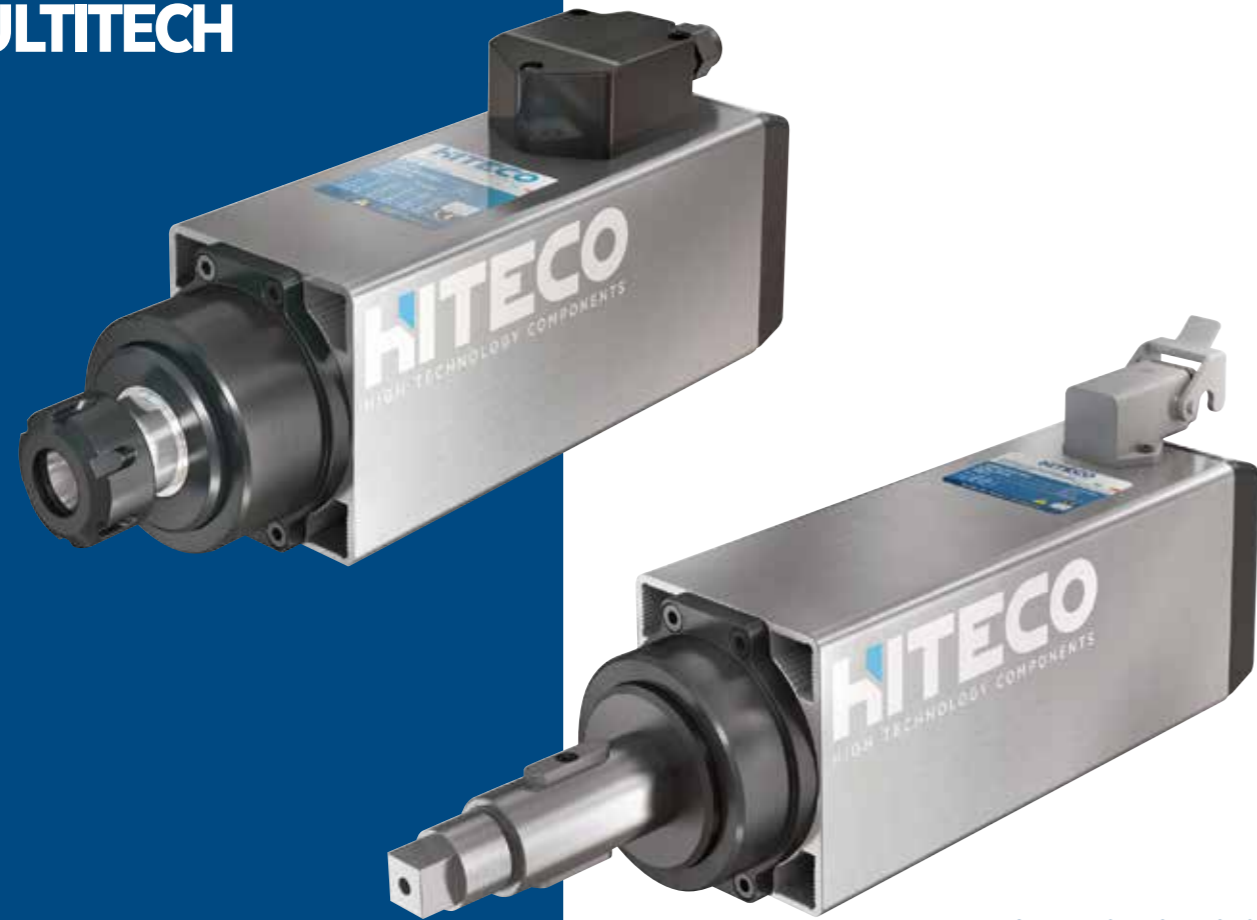
S1 kW 0.65	S1 A 3	Pol es 2
S1 Nm 0.52	Volt 220	Sup ply inverter
rpm 12000	kg 3.3	

EQUIPAGGIAMENTO / EQUIPMENT

Shaft D16	Cooling by shaft-driven fan	Manual tool change (M.T.C)
Steel bearings	Grease lubrication	



MULTITECH
S

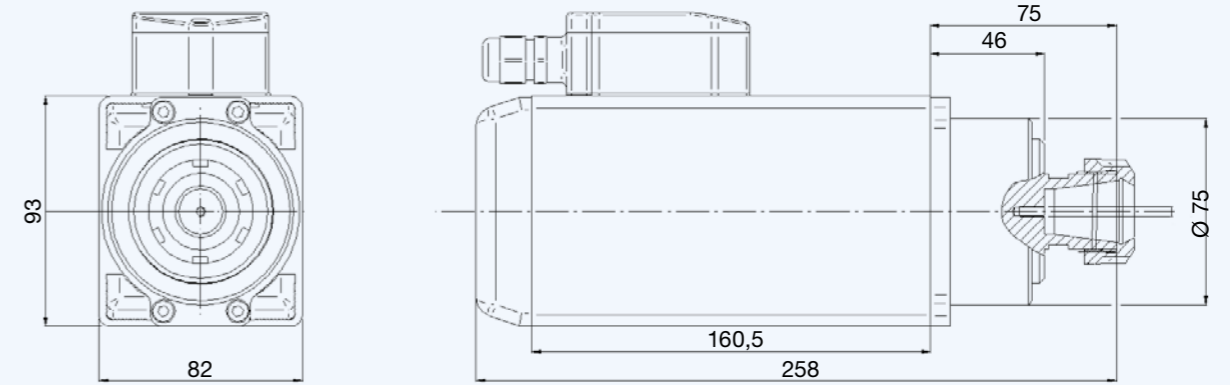


SUITABLE FOR MACHINING WOOD
EFFICIENT COOLING AND LOW NOISE LEVEL
SHAFT ROTATION SENSOR

LAYOUT ER25 DX BT

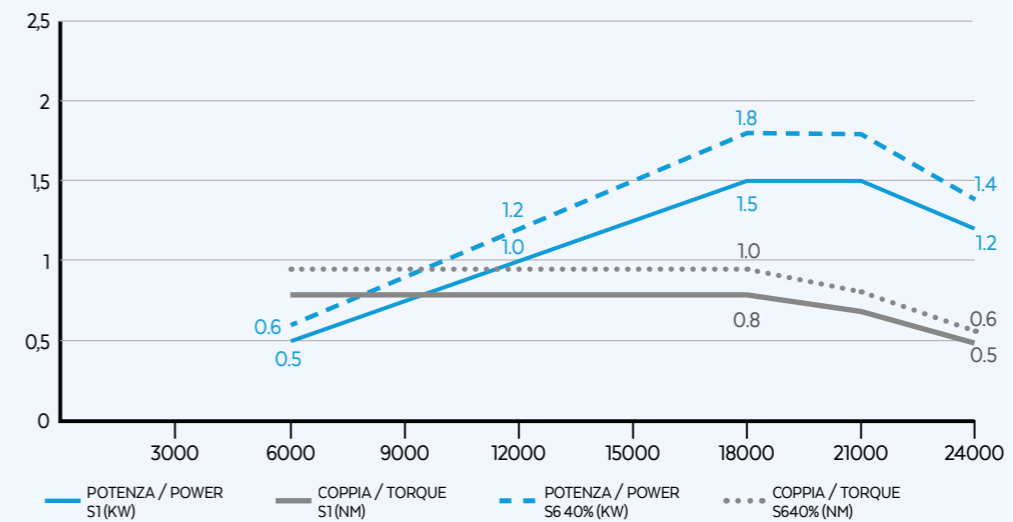
COOLING BY SHAFT-DRIVEN FAN

SPINDLES WITH ER COLLET



S-11.5/18 24

PRESTAZIONI / PERFORMANCES



SPECIFICHE TECNICHE / TECHNICAL SPECIFICATIONS

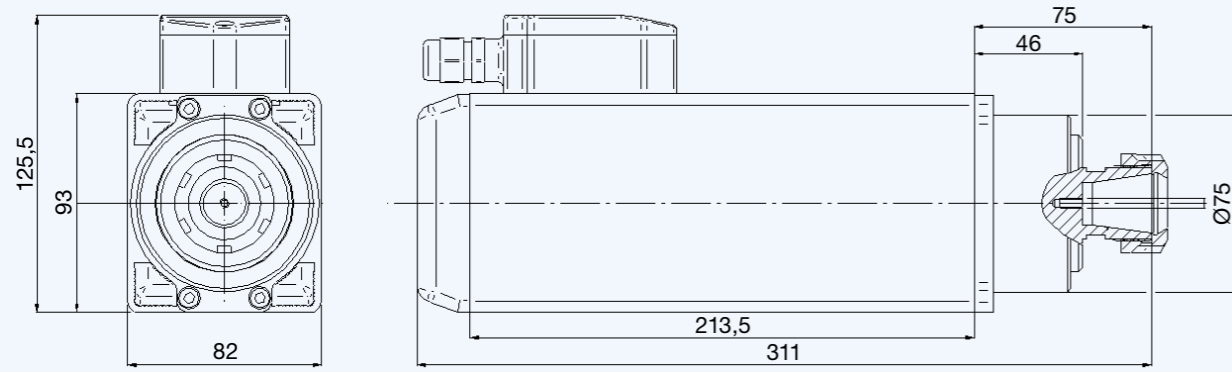
S1-S6 kW	1.5/1.8	S1-S6 A	3.5/4.0	Pol es	2
S1-S6 Nm	0.8/1.0	Volt	220/380	Sup ply	inverter
rpm	24000	kg	8		

EQUIPAGGIAMENTO / EQUIPMENT

ER25 DX	Cooling by shaft-driven fan	Manual tool change (M.T.C.)
Steel bearings	Grease lubrication	

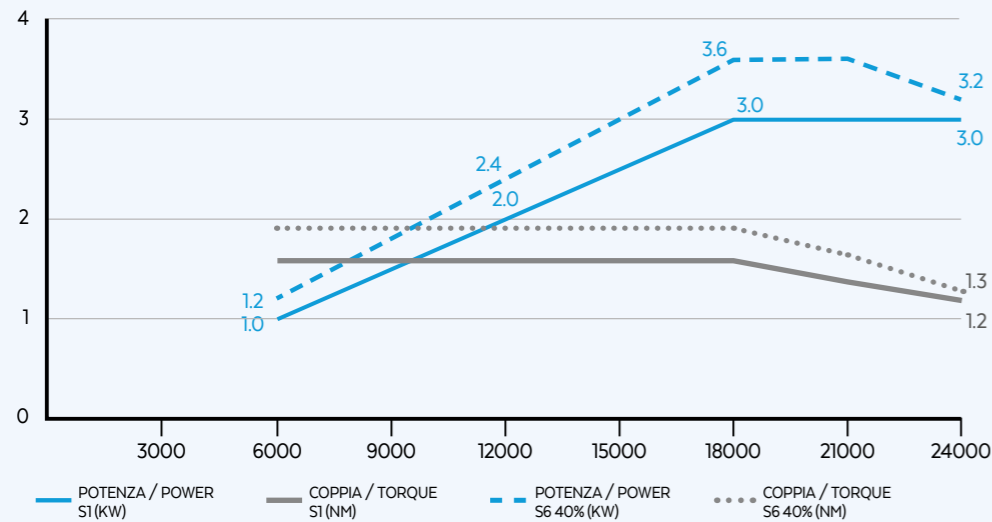


SPINDLES WITH ER COLLET



S-13/18 24

PRESTAZIONI / PERFORMANCES



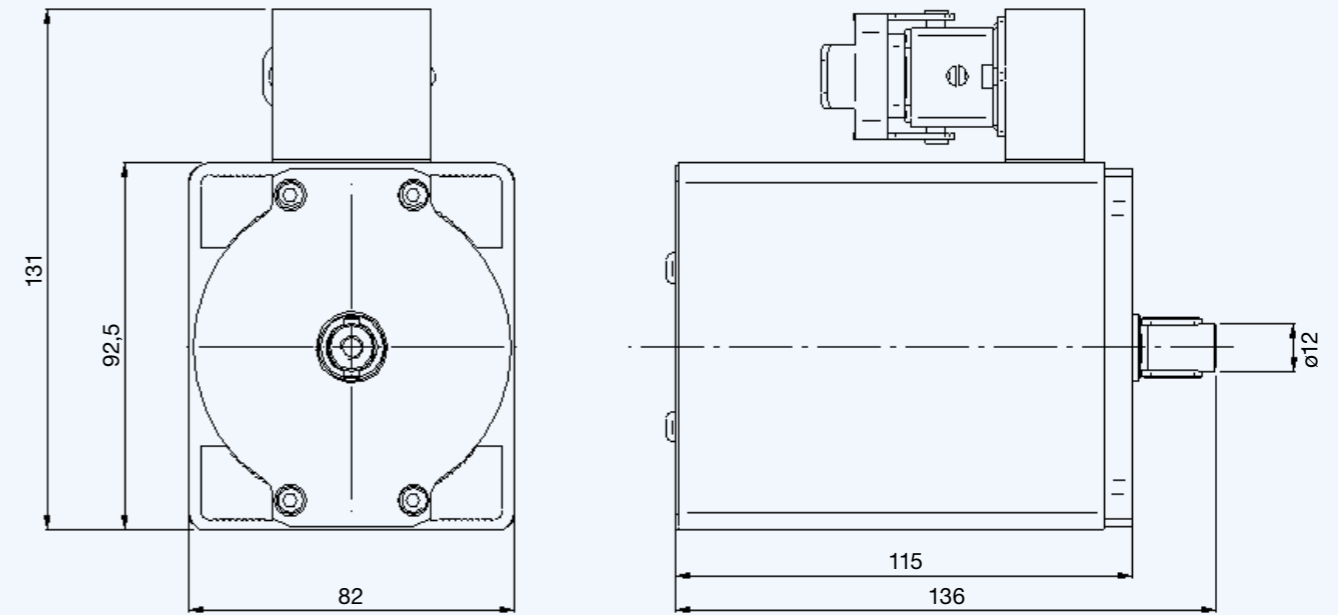
SPECIFICHE TECNICHE / TECHNICAL SPECIFICATIONS

S1-S6 kW 3/3.6
S1-S6 Nm 1.6/1.9
rpm 24000
S1-S6 A 6.5/7
Volt 220/380
kg 8.5
Pol es 2
Supply inverter

EQUIPAGGIAMENTO / EQUIPMENT

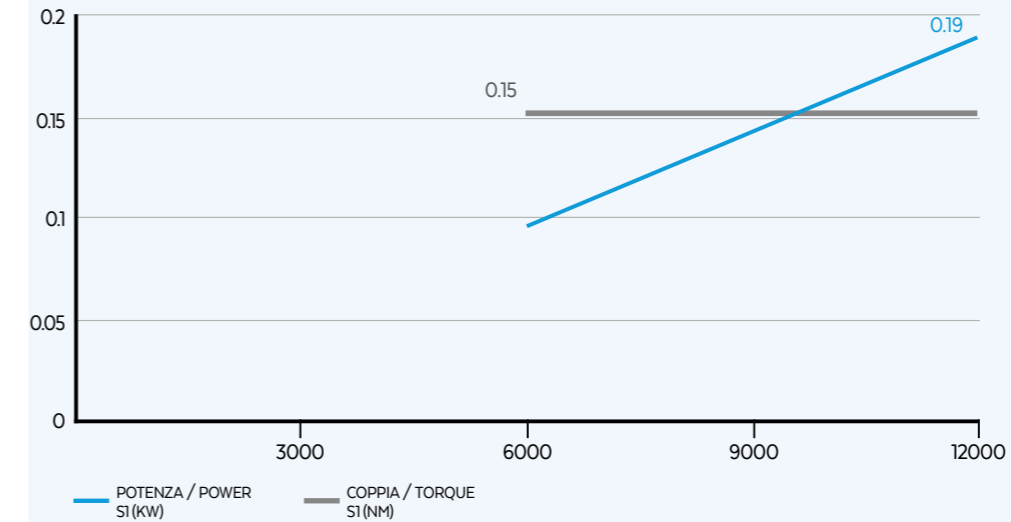
ER25 DX
 Cooling by shaft-driven fan
 Manual tool change (M.T.C.)
 Ceramic ball bearings
 Grease lubrication

SPINDLES WITH CYLINDRICAL SHAFT



S-1 0.19/12 12

PRESTAZIONI / PERFORMANCES



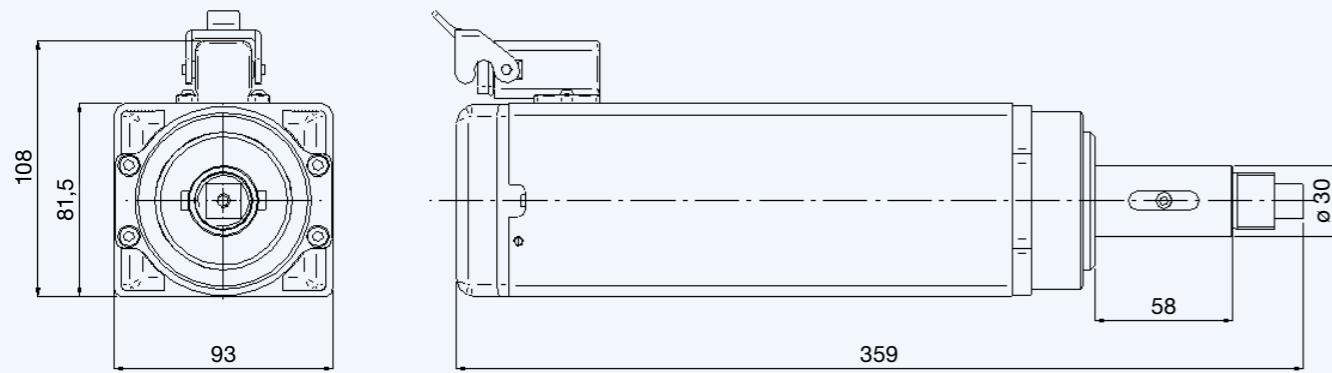
SPECIFICHE TECNICHE / TECHNICAL SPECIFICATIONS

S1 kW 0.19
S1 Nm 0.15
rpm 12000
S1 A 1.4
Volt 220
kg 2
Pol es 2
Supply inverter

EQUIPAGGIAMENTO / EQUIPMENT

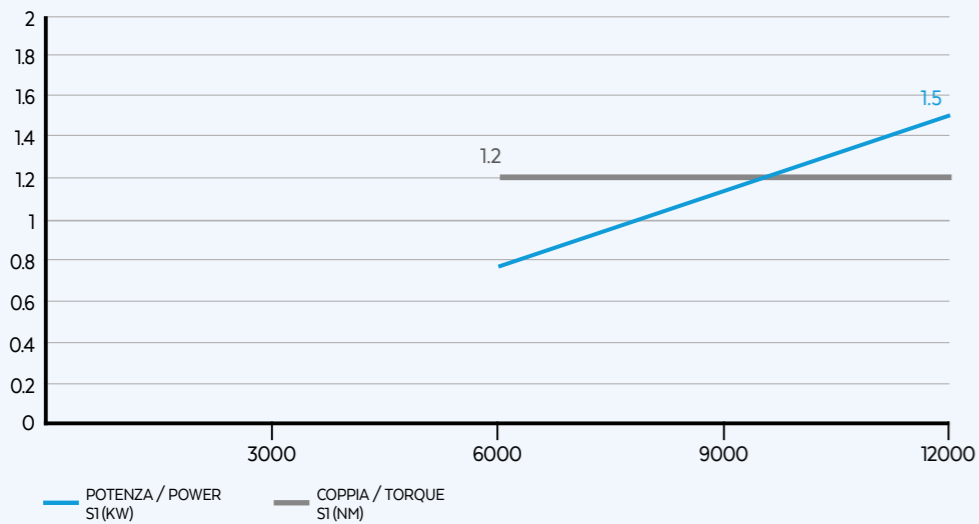
Shaft D12
 Cooling by shaft-driven fan
 Manual tool change (M.T.C.)
 Steel bearings
 Grease lubrication

SPINDLES WITH CYLINDRICAL SHAFT



S-11.5/12 12

PRESTAZIONI / PERFORMANCES



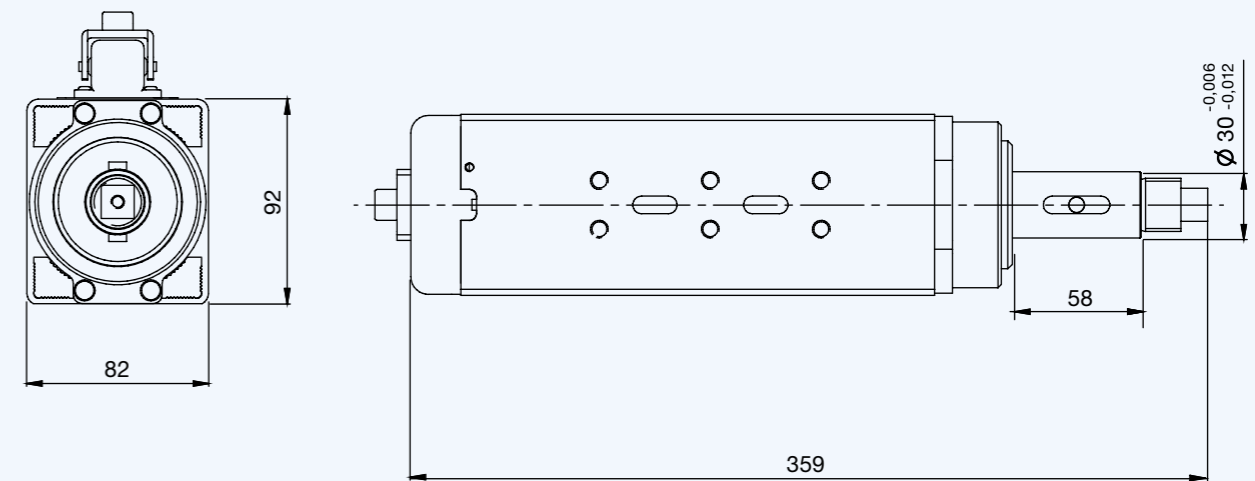
SPECIFICHE TECNICHE / TECHNICAL SPECIFICATIONS

1.5 kW **5.7 A** **2 Poles**
1.2 Nm **220 Volt** **inverter Supply**
12000 rpm **8 kg**

EQUIPAGGIAMENTO / EQUIPMENT

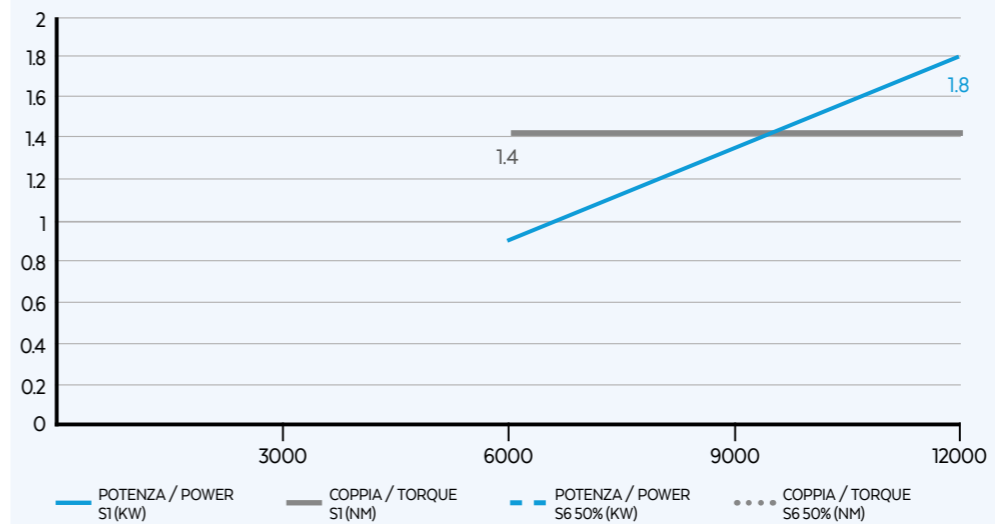
Shaft D30, Cooling by shaft-driven fan, Manual tool change (M.T.C.), Steel bearings, Grease lubrication

SPINDLES WITH CYLINDRICAL SHAFT



S-11.8/12 12

PRESTAZIONI / PERFORMANCES



SPECIFICHE TECNICHE / TECHNICAL SPECIFICATIONS

1.8 kW **6.5 A** **2 Poles**
1.4 Nm **220 Volt** **inverter Supply**
12000 rpm **8 kg**

EQUIPAGGIAMENTO / EQUIPMENT

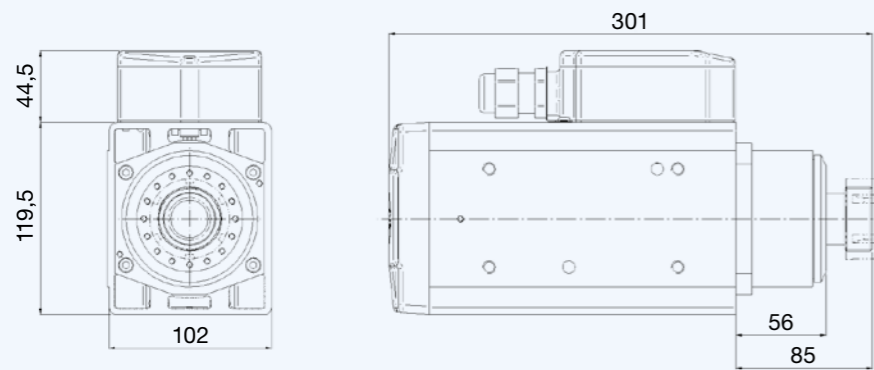
Shaft D30, Cooling by shaft-driven fan, Manual tool change (M.T.C.), Ceramic ball bearings, Grease lubrication

MULTITECH QN



SUITABLE FOR MACHINING WOOD AND ALUMINUM
AVAILABLE WITH ELECTROFAN, COMPRESSED AIR AND SHAFT-POWERED FAN COOLING
AVAILABLE WITH CERAMIC BEARINGS AVAILABLE WITH ER 32 AND HSK 40C

LAYOUT ER 32 DX

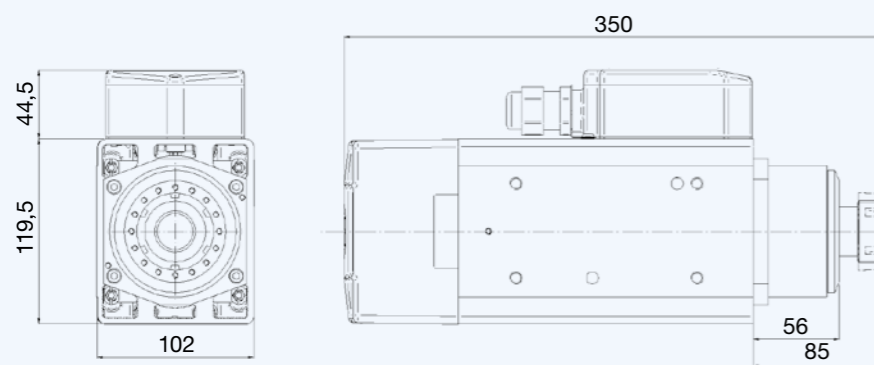


COOLING BY SHAFT - DRIVEN FAN



SPINDLES WITH ER COLLET

LAYOUT ER 32 DX



ELECTROFAN COOLING



SPINDLES WITH ER COLLET

ALTRI LAYOUT / OTHER LAYOUTS

L tot

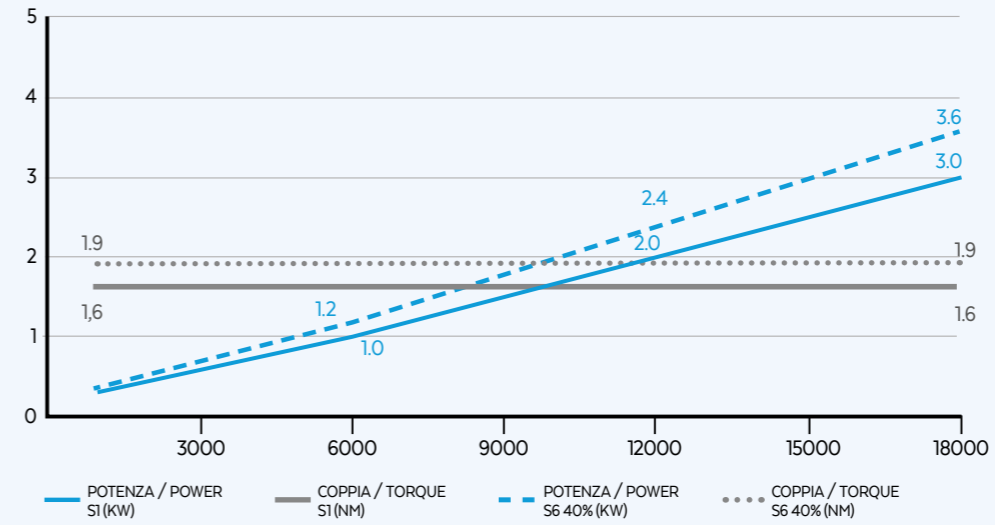
306 mm

Aria compressa / Compressed air

QN-1 3/18 18 BT

COOLING BY SHAFT-DRIVEN FAN

PRESTAZIONI / PERFORMANCES



OPZIONALI / OPTIONS

- COM-PRESSED AIR Compressed air cooling
- Electrofan cooling

SPECIFICHE TECNICHE / TECHNICAL SPECIFICATIONS

- S1-S6 kW 3/3.6
- S1-S6 A 8/8.5
- Pol es 2
- S1-S6 Nm 1.6/1.9
- Volt 220/380
- Supply inverter
- rpm 18000
- kg 14

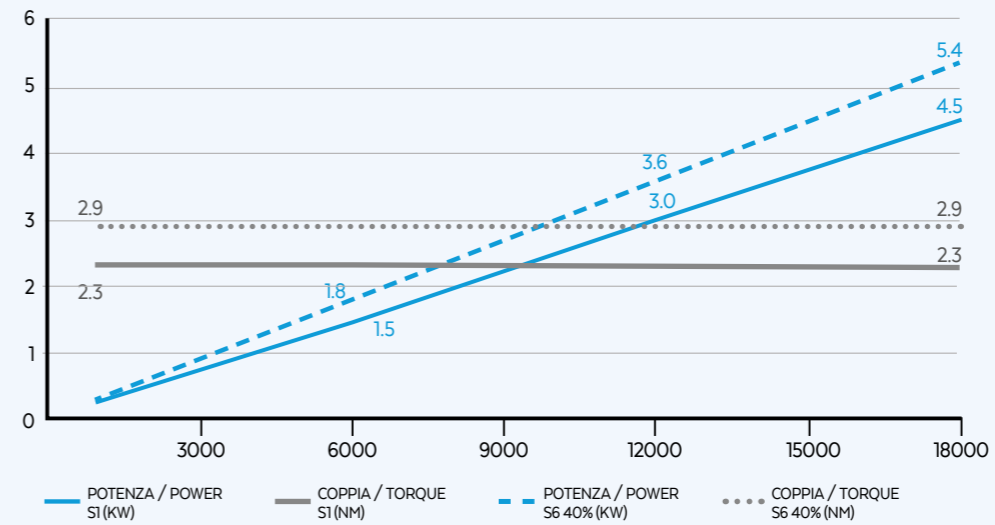
EQUIPAGGIAMENTO / EQUIPMENT

- ER32DX
- Cooling by shaft-driven fan
- Manual tool change (M.T.C)
- Grease lubrication
- Steel bearings

QN-1 4.5/18 18 BT

COOLING BY SHAFT-DRIVEN FAN

PRESTAZIONI / PERFORMANCES



OPZIONALI / OPTIONS

- COM-PRESSED AIR Compressed air cooling
- Electrofan cooling

SPECIFICHE TECNICHE / TECHNICAL SPECIFICATIONS

- S1-S6 kW 4.5/5.4
- S1-S6 A 9.5/15
- Pol es 2
- S1-S6 Nm 2.3/2.9
- Volt 220/380
- Supply inverter
- rpm 18000
- kg 14

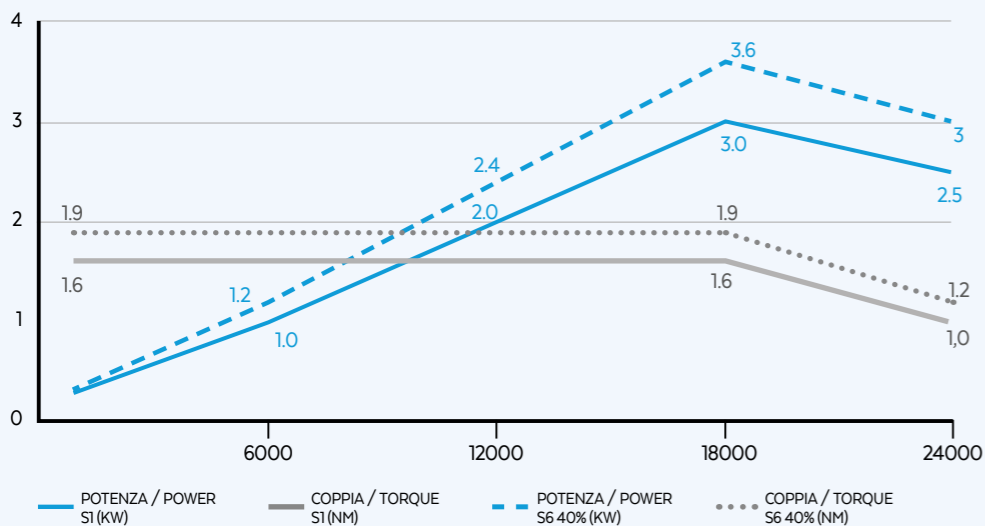
EQUIPAGGIAMENTO / EQUIPMENT

- ER32DX
- Cooling by shaft-driven fan
- Manual tool change (M.T.C)
- Grease lubrication
- Steel bearings

QN-IF 3/18 24 BT

ELECTROFAN COOLING

PRESTAZIONI / PERFORMANCES



OPZIONALI / OPTIONS



SPECIFICHE TECNICHE / TECHNICAL SPECIFICATIONS

S1-S6 kW 3/3.6
S1-S6 Nm 1.6/1.9
rpm 24000
S1-S6 A 8/9
Volt 220/380
kg 14
Pol es 2
Supply inverter

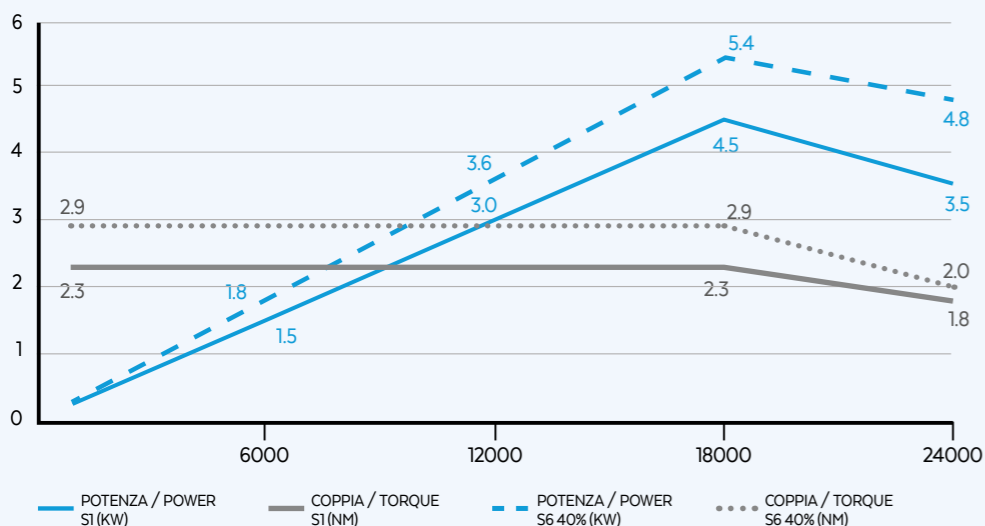
EQUIPAGGIAMENTO / EQUIPMENT

ER32DX
 Electrofan cooling
 Manual tool change (M.T.C.)
 Grease lubrication
 Ceramic ball bearings

QN-IF 4.5/18 24 BT

ELECTROFAN COOLING

PRESTAZIONI / PERFORMANCES



OPZIONALI / OPTIONS



SPECIFICHE TECNICHE / TECHNICAL SPECIFICATIONS

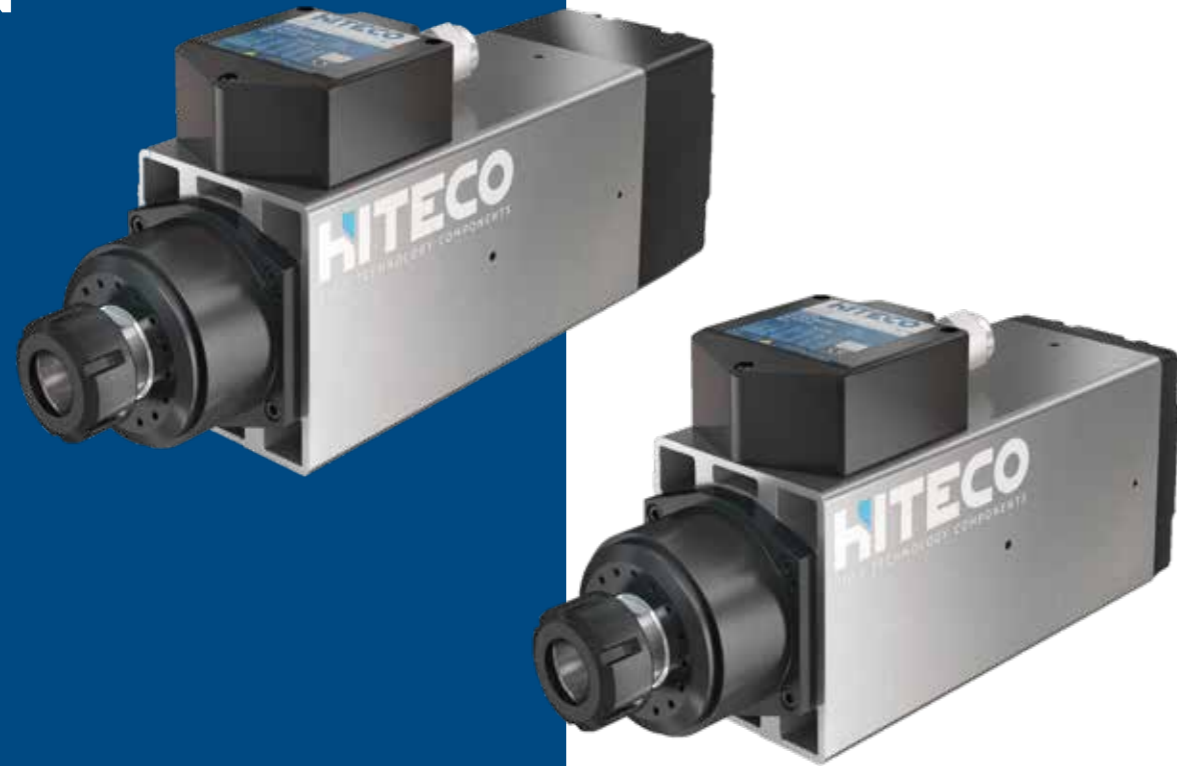
S1-S6 kW 4.5/5.4
S1-S6 Nm 2.3/2.9
rpm 24000
S1-S6 A 10/15
Volt 220/380
kg 14
Pol es 2
Supply inverter

EQUIPAGGIAMENTO / EQUIPMENT

ER32DX
 Electrofan cooling
 Manual tool change (M.T.C.)
 Grease lubrication
 Ceramic ball bearings



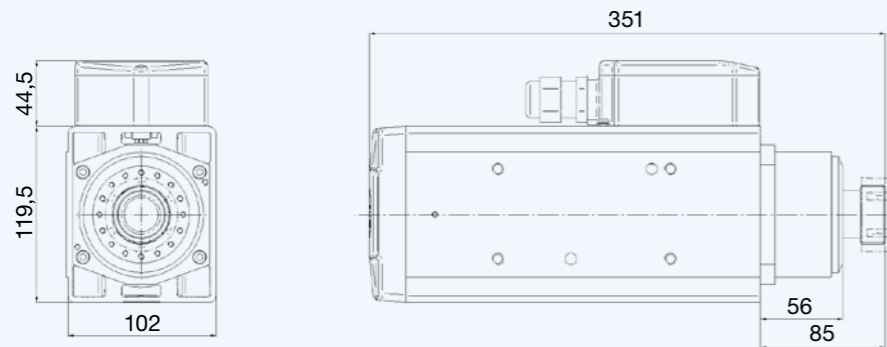
MULTITECH QN



SUITABLE FOR MACHINING WOOD AND ALUMINUM
AVAILABLE WITH ELECTROFAN, COMPRESSED AIR AND SHAFT-POWERED FAN COOLING
AVAILABLE WITH CERAMIC BEARINGS AVAILABLE WITH ER 32 AND HSK 40C

LAYOUT ER 32 DX

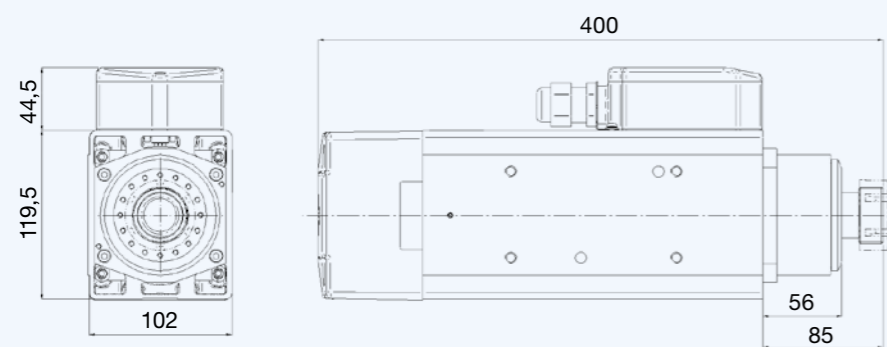
COOLING BY SHAFT - DRIVEN FAN



SPINDLES WITH ER COLLET

LAYOUT ER 32 DX

ELECTROFAN COOLING



SPINDLES WITH ER COLLET

L tot

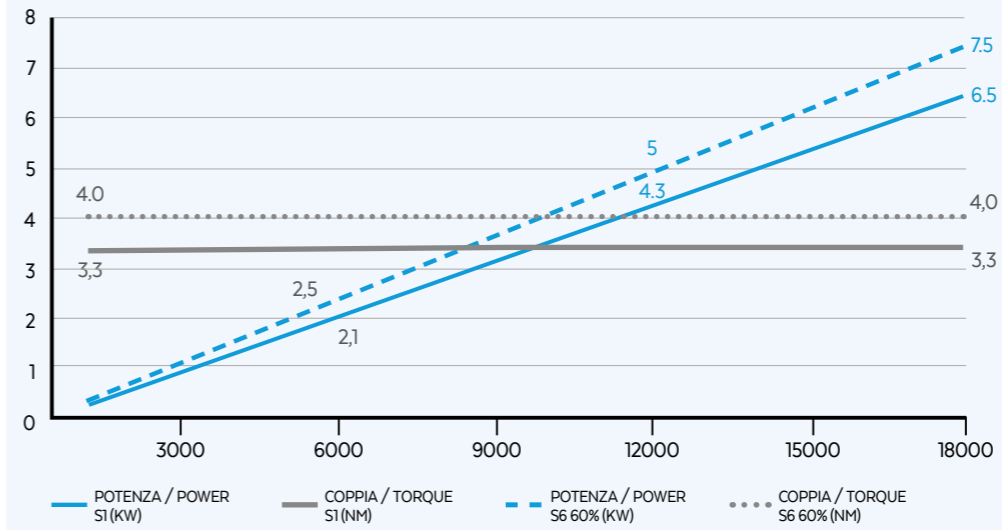
356 mm

Aria compressa / Compressed air

QN-1 6.5/18 18 BT

COOLING BY SHAFT-DRIVEN FAN

PRESTAZIONI / PERFORMANCES



OPZIONALI / OPTIONS

- HSK 40C
- Compressed air cooling
- Electrofan cooling



SPECIFICHE TECNICHE / TECHNICAL SPECIFICATIONS

- 6.5/7.5 kW
- 13/15 A
- 2 Pol
- 3.3/4 Nm
- 220/380 Volt
- inverter Supply
- 18000 rpm
- 14 kg

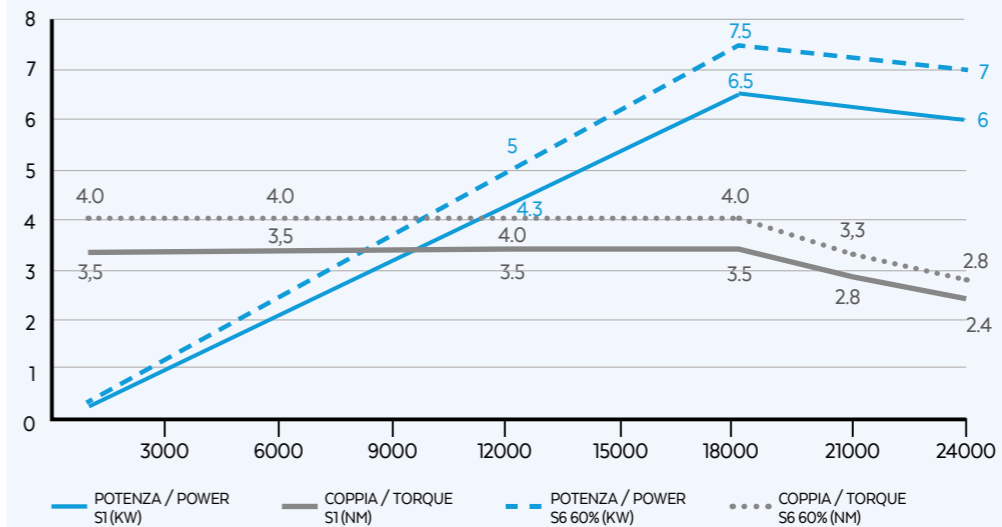
EQUIPAGGIAMENTO / EQUIPMENT

- ER32DX
- cooling by shaft-driven fan
- Manual tool change (M.T.C)
- Grease lubrication
- Steel bearings

QN-1F 6.5/18 24 BT

ELECTROFAN COOLING

PRESTAZIONI / PERFORMANCES



OPZIONALI / OPTIONS

- HSK 40C
- Compressed air cooling



SPECIFICHE TECNICHE / TECHNICAL SPECIFICATIONS

- 6.5/7.5 kW
- 13/15 A
- 2 Pol
- 3.5/4 Nm
- 220/380 Volt
- inverter Supply
- 24000 rpm
- 14 kg

EQUIPAGGIAMENTO / EQUIPMENT

- ER32DX
- Electrofan cooling
- Manual tool change (M.T.C)
- Grease lubrication
- Ceramic ball bearings

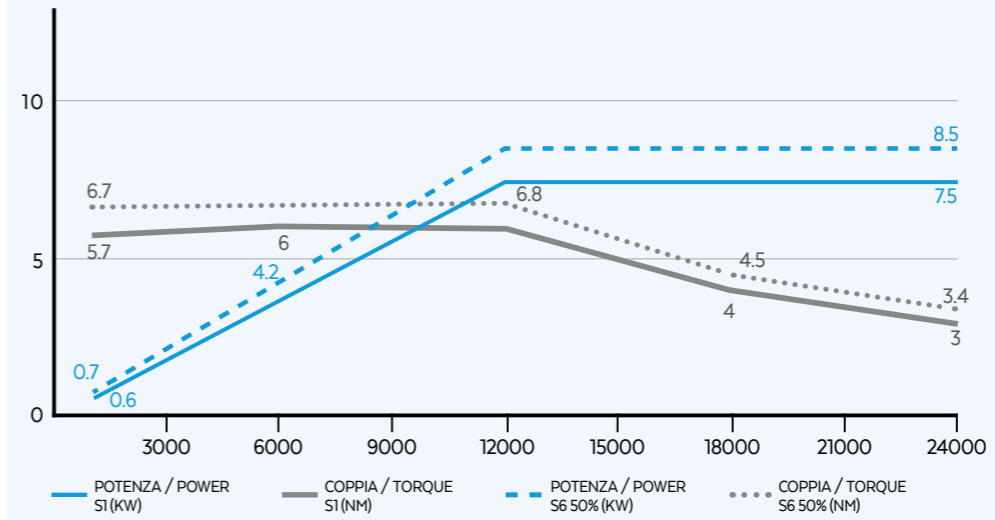
MULTITECH MA



SUITABLE FOR MACHINING LATEST MATERIALS IN DUST ENVIRONMENTS
EASY ASSEMBLING ON BIROTARY HEADS
VERY EFFICIENT COMPRESSED AIR COOLING
AVAILABLE WITH ER 32

MA-1C 7.5/12 24

PRESTAZIONI / PERFORMANCES



SPECIFICHE TECNICHE / TECHNICAL SPECIFICATIONS

- S1-S6 kW 7.5/8.5
- S1-S6 A 16/17
- Pol es 4
- S1-S6 Nm 6/6.8
- Volt 380
- Supply inverter
- rpm 24000
- kg 22

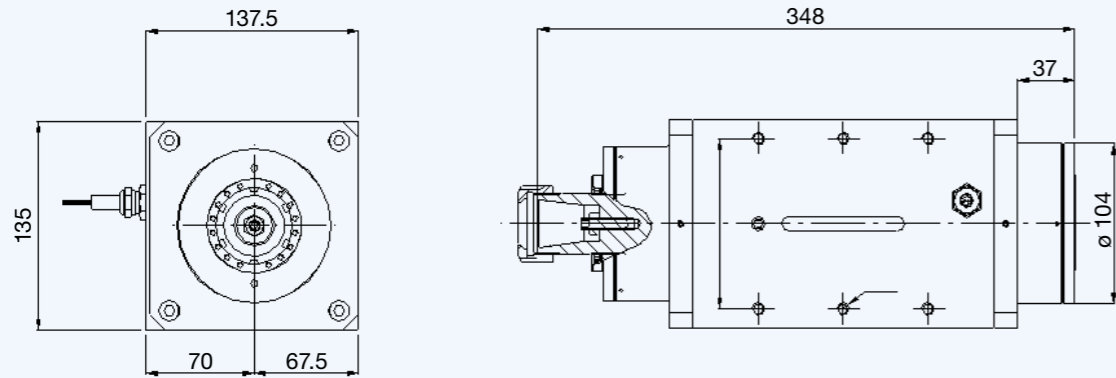
EQUIPAGGIAMENTO / EQUIPMENT

- ER 32DX/SX COMPRESSED AIR Compressed air cooling
- Manual tool change (M.T.C)
- Ceramic ball bearings
- Labyrinth with air seal
- Grease lubrication

LAYOUT ER32 DX

1 END

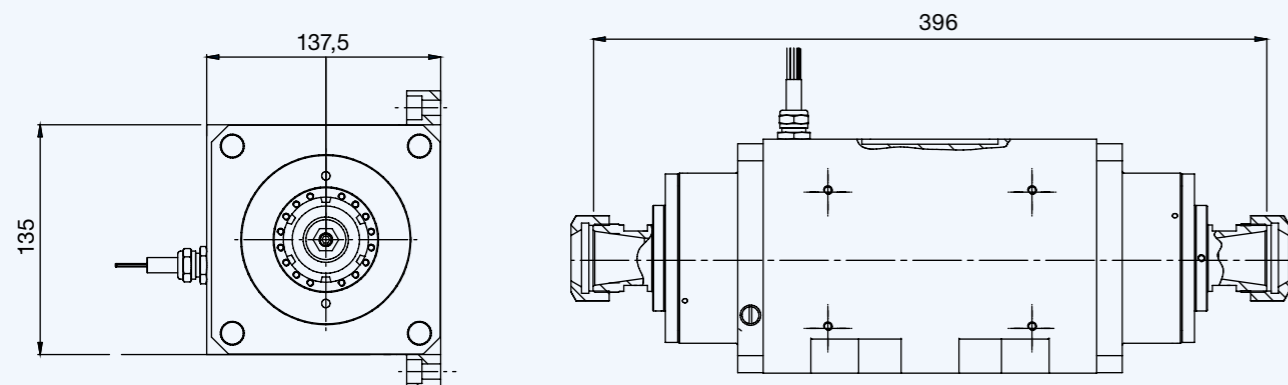
SPINDLES WITH ER COLLET



LAYOUT ER32 DX-SX

2 ENDS

SPINDLES WITH ER COLLET



MULTITECH ML

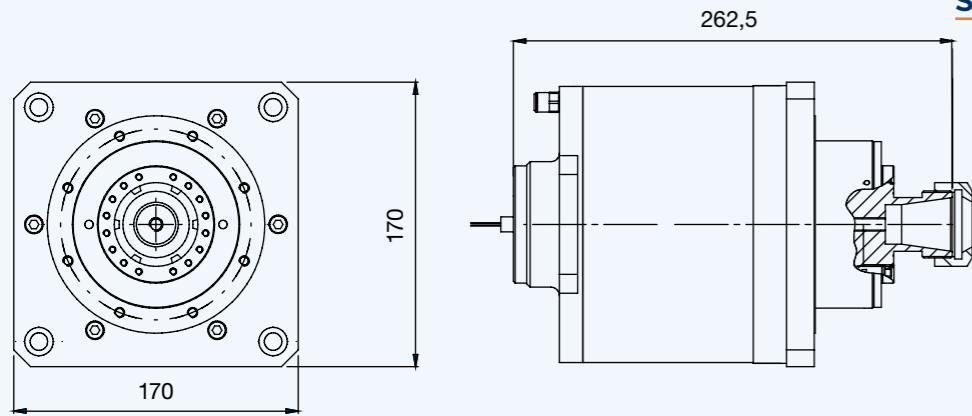
SUITABLE FOR MACHINING LATEST MATERIALS IN DUST ENVIRONMENTS
EASY ASSEMBLING ON BIROTARY HEADS
VERY EFFICIENT COMPRESSED AIR COOLING
AVAILABLE WITH ER 32 AND ER 40



LAYOUT ER32 DX

1 END

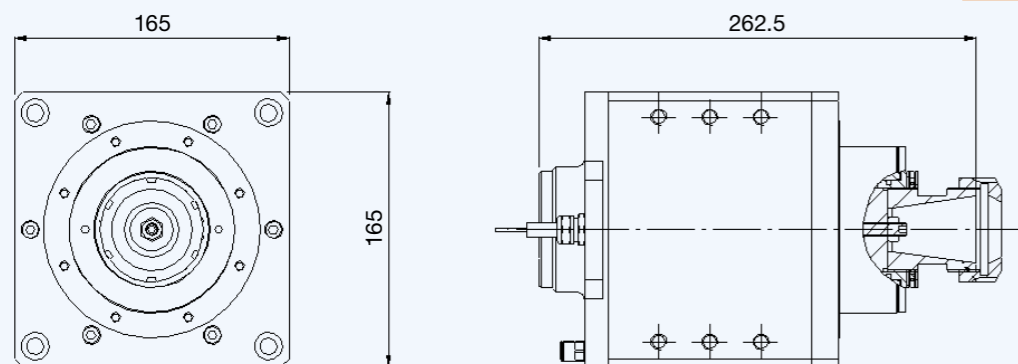
SPINDLES WITH ER COLLET



LAYOUT ER32 DX

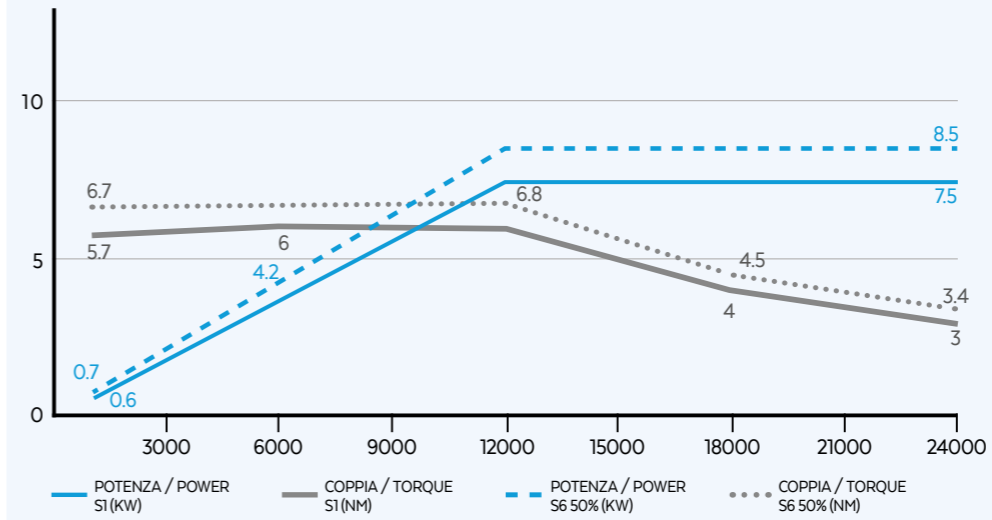
1 END

SPINDLES WITH ER COLLET



ML-1C 7.5/12 24

PRESTAZIONI / PERFORMANCES



OPZIONALI / OPTIONS



SPECIFICHE TECNICHE / TECHNICAL SPECIFICATIONS

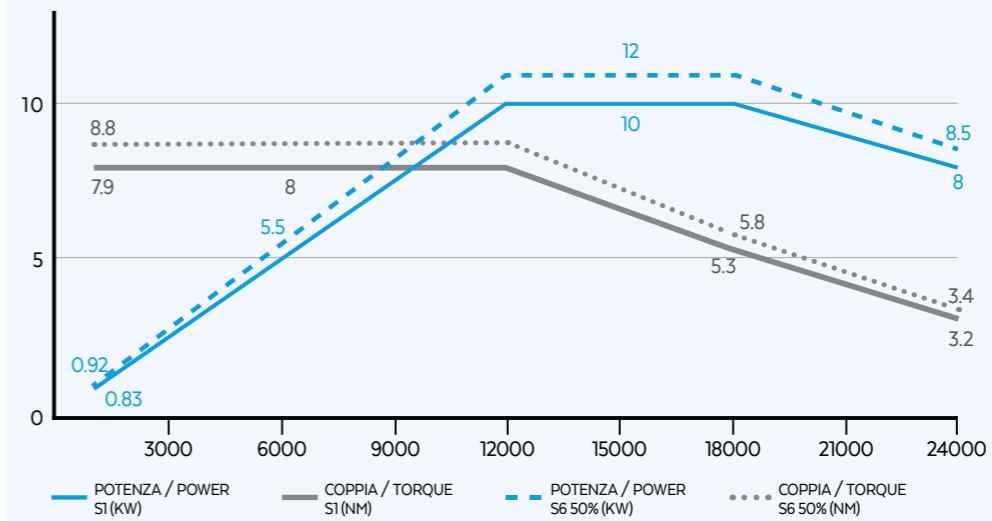
S1-S6 kW 7.5/8.5
S1-S6 Nm 6/6.8
rpm 24000
S1-S6 A 16/17
Volt 380
kg 22
Pol es 4
Supply inverter

EQUIPAGGIAMENTO / EQUIPMENT

ER 32 DX
COMPRESSED AIR Compressed air cooling
Manual tool change (M.T.C.)
Grease lubrication
Ceramic ball bearings
Labyrinth with air seal

ML-1C 10/12 24

PRESTAZIONI / PERFORMANCES



OPZIONALI / OPTIONS



SPECIFICHE TECNICHE / TECHNICAL SPECIFICATIONS

S1-S6 kW 10/12
S1-S6 Nm 8/8.8
rpm 24000
S1-S6 A 21.3/22
Volt 380
kg 22
Pol es 4
Supply inverter

EQUIPAGGIAMENTO / EQUIPMENT

ER 32 DX
COMPRESSED AIR Compressed air cooling
Manual tool change (M.T.C.)
Grease lubrication
Ceramic ball bearings
Labyrinth with air seal

MULTITECH ML

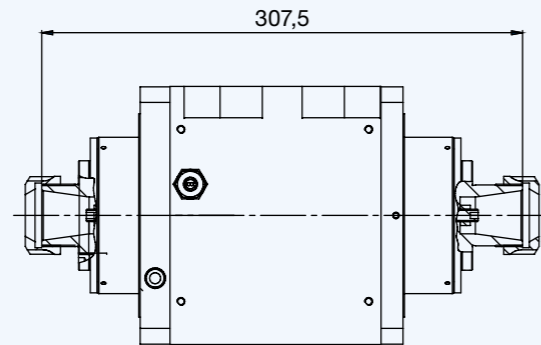
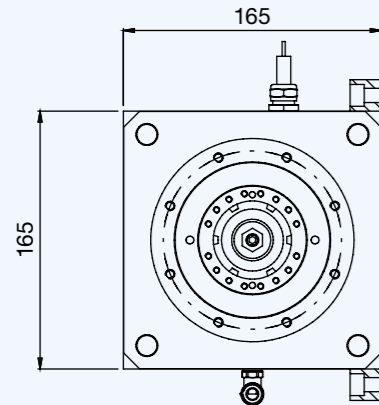
SUITABLE FOR MACHINING LATEST MATERIALS IN DUST ENVIRONMENTS
EASY ASSEMBLING ON BIROTARY HEADS
VERY EFFICIENT COMPRESSED AIR COOLING
AVAILABLE WITH ER 32 AND ER 40



LAYOUT ER 40 DX-SX

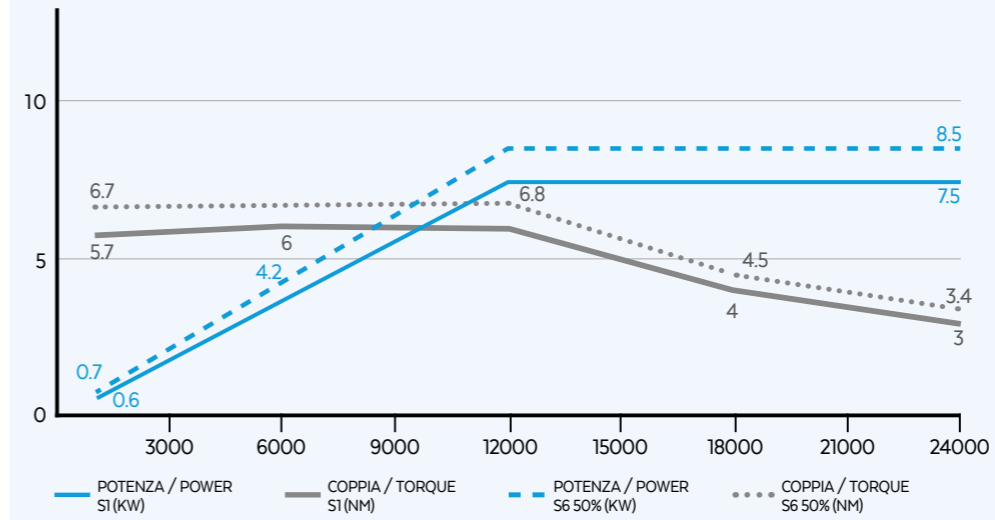
2 ENDS

SPINDLES WITH ER COLLET



ML-1C 7.5/12 24

PRESTAZIONI / PERFORMANCES



OPZIONALI / OPTIONS



SPECIFICHE TECNICHE / TECHNICAL SPECIFICATIONS

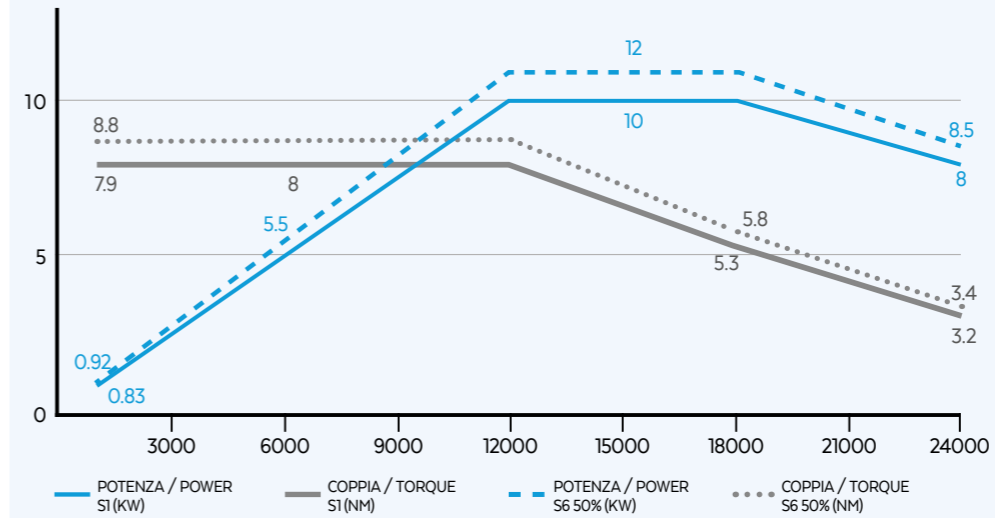
S1-S6 kW 7.5/8.5
S1-S6 Nm 6/6.8
rpm 24000
S1-S6 A 16/17
Volt 380
kg 22
Pol es 4
Supply inverter

EQUIPAGGIAMENTO / EQUIPMENT

ER 32 DX-SX
COMPRESSED AIR Compressed air cooling
Manual tool change (M.T.C.)
Grease lubrication
Ceramic ball bearings
Labyrinth with air seal

ML-1C 10/12 24

PRESTAZIONI / PERFORMANCES



OPZIONALI / OPTIONS



SPECIFICHE TECNICHE / TECHNICAL SPECIFICATIONS

S1-S6 kW 10/12
S1-S6 Nm 8/8.8
rpm 24000
S1-S6 A 21.3/22
Volt 380
kg 22
Pol es 4
Supply inverter

EQUIPAGGIAMENTO / EQUIPMENT

ER 32 DX-SX
COMPRESSED AIR Compressed air cooling
Manual tool change (M.T.C.)
Grease lubrication
Ceramic ball bearings
Labyrinth with air seal

MULTITECH ML

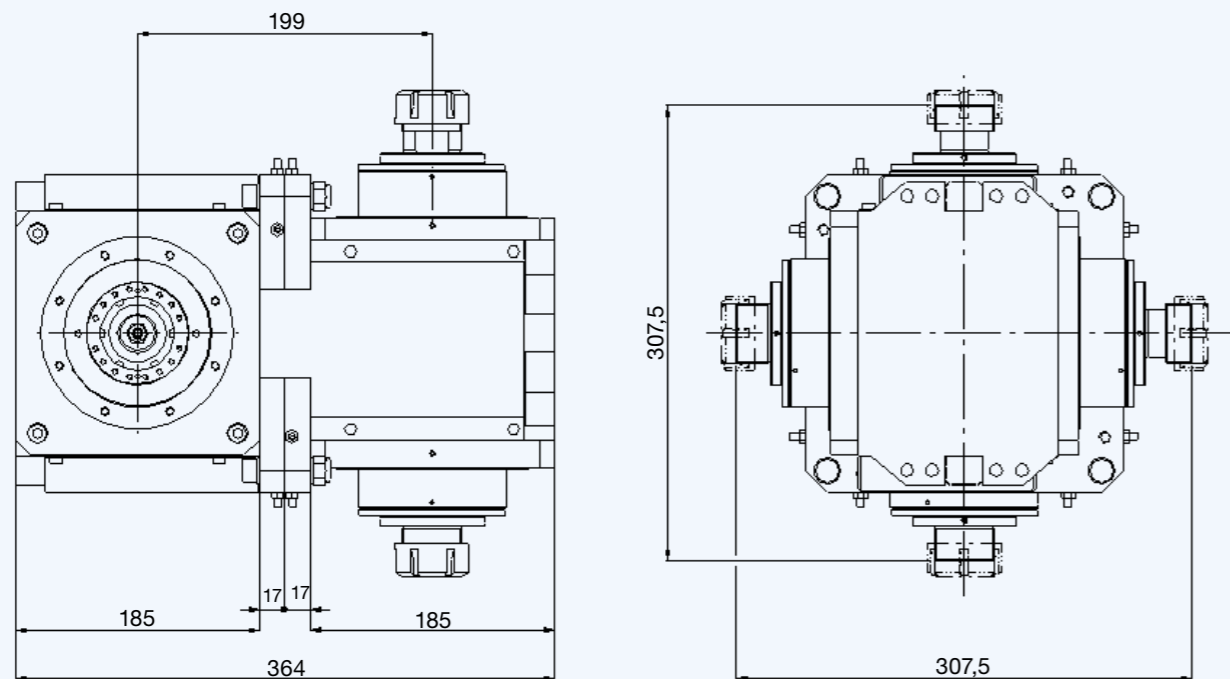
SUITABLE FOR MACHINING LATEST MATERIALS IN DUST ENVIRONMENTS
EASY ASSEMBLING ON BIROTARY HEADS
VERY EFFICIENT COMPRESSED AIR COOLING
AVAILABLE WITH ER 32 AND ER 40



LAYOUT ER 32 DX-SX

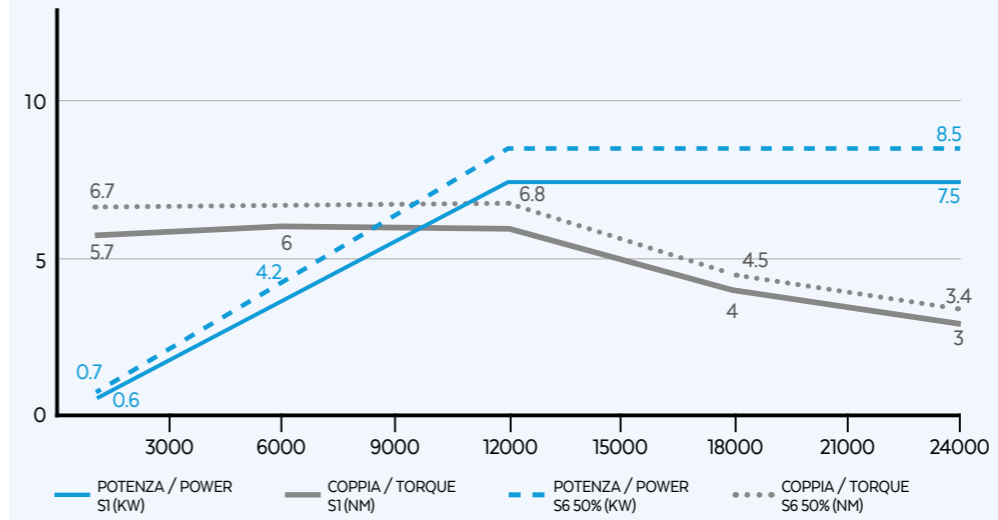
2 ENDS

SPINDLES WITH ER COLLET

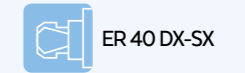


ML-1C 7.5/12 24

PRESTAZIONI / PERFORMANCES



OPZIONALI / OPTIONS



SPECIFICHE TECNICHE / TECHNICAL SPECIFICATIONS

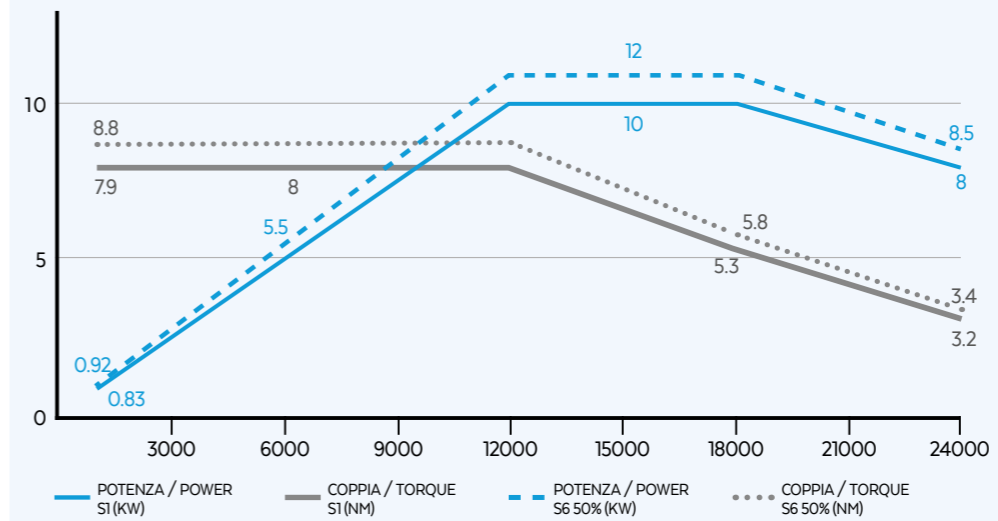
S1-S6 kW 7.5/8.5
S1-S6 Nm 6/6.8
rpm 24000
S1-S6 A 16/17
Volt 380
kg 22
Pol es 4
Supply inverter

EQUIPAGGIAMENTO / EQUIPMENT

ER 32 DX-SX
COMPRESSED AIR Compressed air cooling
Manual tool change (M.T.C.)
Grease lubrication
Ceramic ball bearings
Labyrinth with air seal

ML-1C 10/12 24

PRESTAZIONI / PERFORMANCES



OPZIONALI / OPTIONS



SPECIFICHE TECNICHE / TECHNICAL SPECIFICATIONS

S1-S6 kW 10/12
S1-S6 Nm 8/8.8
rpm 24000
S1-S6 A 21.3/22
Volt 380
kg 22
Pol es 4
Supply inverter

EQUIPAGGIAMENTO / EQUIPMENT

ER 32 DX-SX
COMPRESSED AIR Compressed air cooling
Manual tool change (M.T.C.)
Grease lubrication
Ceramic ball bearings
Labyrinth with air seal

MULTITECH ML

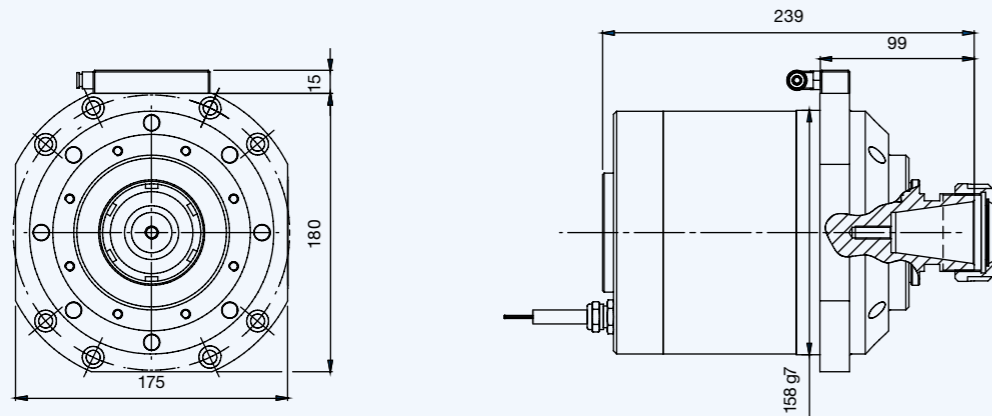
SUITABLE FOR MACHINING LATEST MATERIALS IN DUST ENVIRONMENTS
EASY ASSEMBLING ON BIROTARY HEADS
AVAILABLE WITH LIQUID COOLING TO FOR HEAVY AND INTENSIVE PROCESSES
AVAILABLE WITH ER 32 AND ER 40



LAYOUT ER 40DX

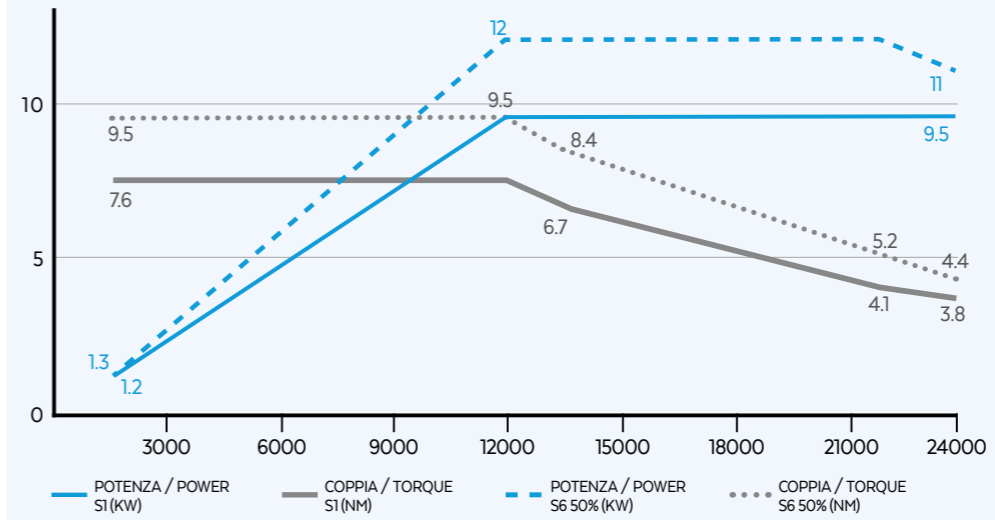
1 END

SPINDLES WITH ER COLLET



ML-2 9.5/12 24

PRESTAZIONI / PERFORMANCES



SPECIFICHE TECNICHE / TECHNICAL SPECIFICATIONS

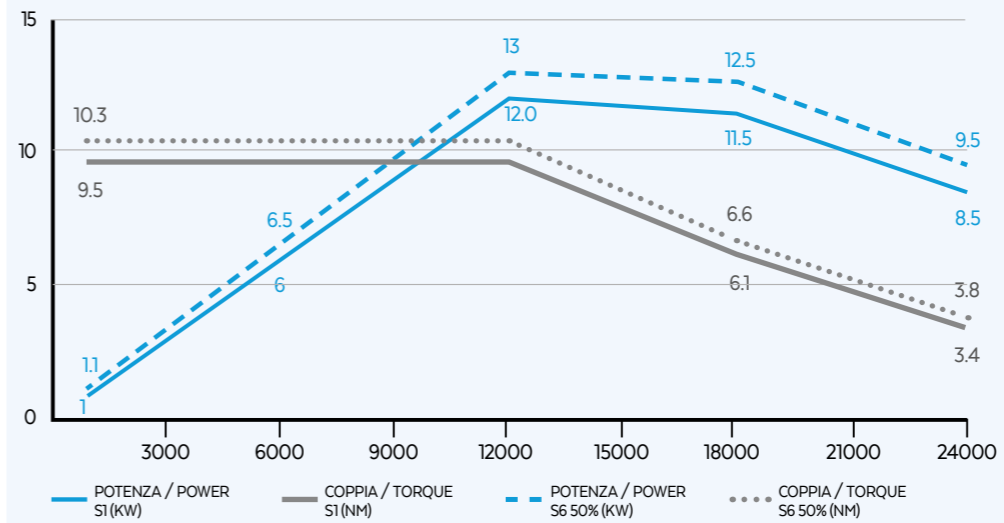
S1-S6 kW 9.5/12	S1-S6 A 22/27	Pol es 4
S1-S6 Nm 7.6/9.5	Volt 380	Supply inverter
rpm 24000	kg 26	

EQUIPAGGIAMENTO / EQUIPMENT

ER 40DX	Liquid cooling	Manual tool change (M.T.C.)	Grease lubrication
Ceramic ball bearings	Labyrinth with air seal		

ML-2 12/12 24

PRESTAZIONI / PERFORMANCES



SPECIFICHE TECNICHE / TECHNICAL SPECIFICATIONS

S1-S6 kW 12/13	S1-S6 A 25/28	Pol es 4
S1-S6 Nm 9.5/10.3	Volt 380	Supply inverter
rpm 24000	kg 23	

EQUIPAGGIAMENTO / EQUIPMENT

ER 40DX	Liquid cooling	Manual tool change (M.T.C.)	Grease lubrication
Ceramic ball bearings	Labyrinth with air seal		



MULTITECH ML

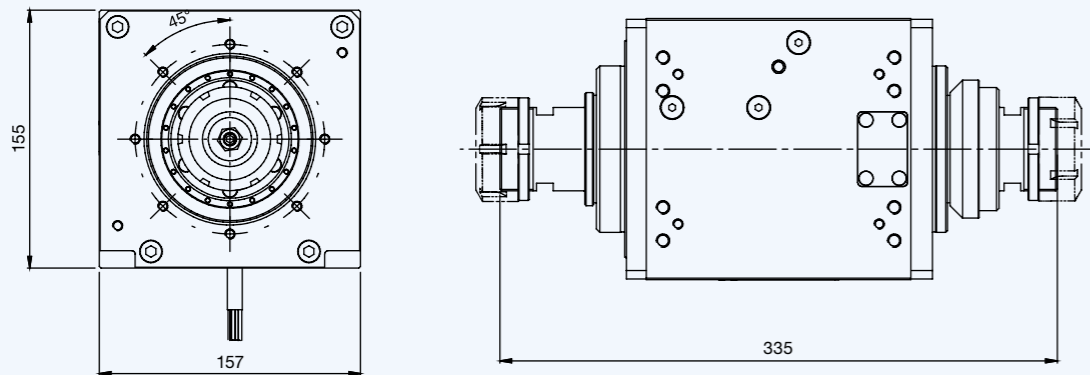
SUITABLE FOR MACHINING LATEST MATERIALS IN DUST ENVIRONMENTS
EASY ASSEMBLING ON BIROTARY HEADS
AVAILABLE WITH LIQUID COOLING TO FOR HEAVY AND INTENSIVE PROCESSES
AVAILABLE WITH ER 32 AND ER 40



LAYOUT ER 40 DX-SX

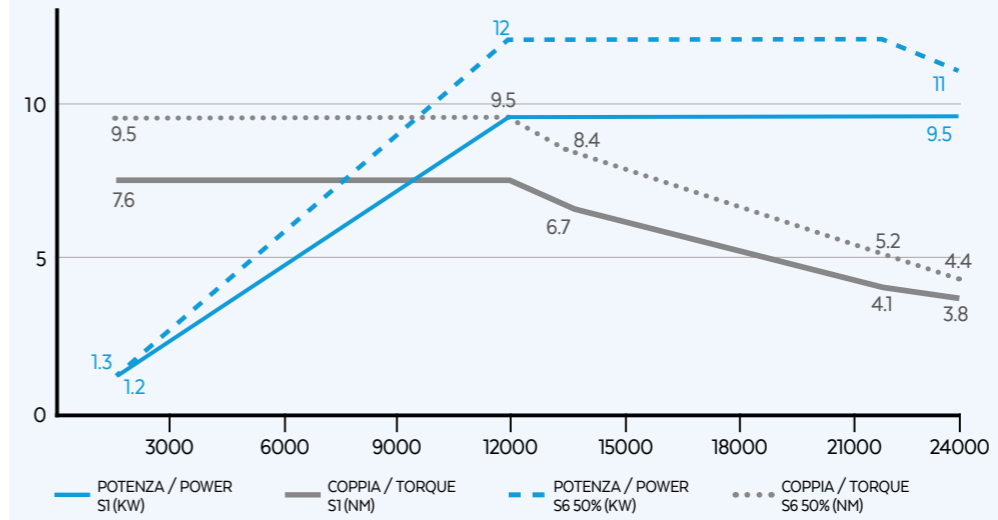
2 ENDS

SPINDLES WITH ER COLLET



ML-2 9.5/12 24

PRESTAZIONI / PERFORMANCES



SPECIFICHE TECNICHE / TECHNICAL SPECIFICATIONS

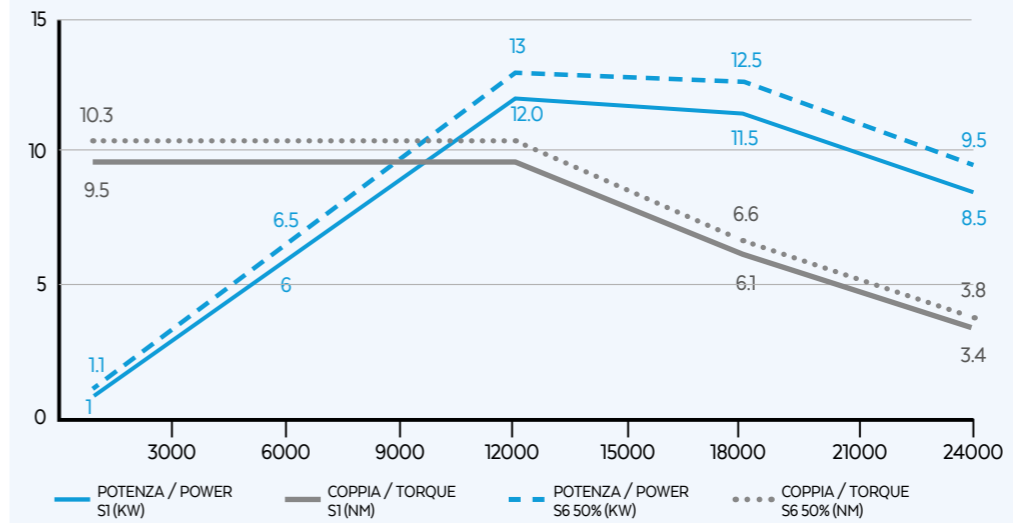
S1-S6 kW 9.5/12
S1-S6 Nm 7.6/9.5
rpm 24000
S1-S6 A 22/27
Volt 380
kg 26
Pol es 4
Supply inverter

EQUIPAGGIAMENTO / EQUIPMENT

ER 40 DX-SX
Liquid cooling
Manual tool change (M.T.C.)
Grease lubrication
Ceramic ball bearings
Labyrinth with air seal

ML-2 12/12 24

PRESTAZIONI / PERFORMANCES



SPECIFICHE TECNICHE / TECHNICAL SPECIFICATIONS

S1-S6 kW 12/13
S1-S6 Nm 9.5/10.3
rpm 24000
S1-S6 A 25/28
Volt 380
kg 26
Pol es 4
Supply inverter

EQUIPAGGIAMENTO / EQUIPMENT

ER 40DX
Liquid cooling
Manual tool change (M.T.C.)
Grease lubrication
Ceramic ball bearings
Labyrinth with air seal

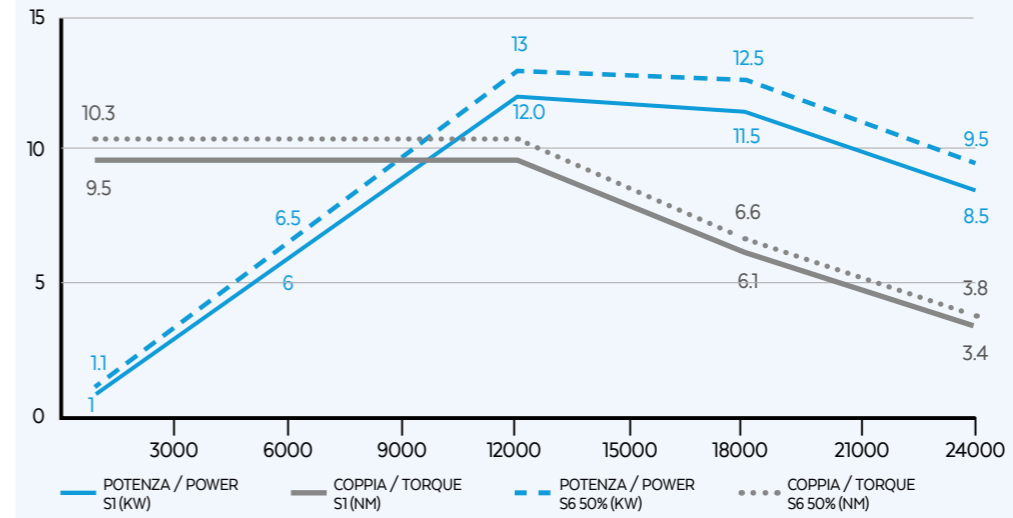
MULTITECH ML

SUITABLE FOR MACHINING LATEST MATERIALS IN DUST ENVIRONMENTS
EASY ASSEMBLING ON BIROTARY HEADS
AVAILABLE WITH LIQUID COOLING TO FOR HEAVY AND INTENSIVE PROCESSES
AVAILABLE WITH ER 32 AND ER 40



ML-2 12/12 24

PRESTAZIONI / PERFORMANCES



SPECIFICHE TECNICHE / TECHNICAL SPECIFICATIONS

- S1-S6 kW** 12/13
- S1-S6 A** 25/28
- Pol es** 4
- S1-S6 Nm** 9.5/10.3
- Volt** 380
- Supply** inverter
- rpm** 24000
- kg** 26

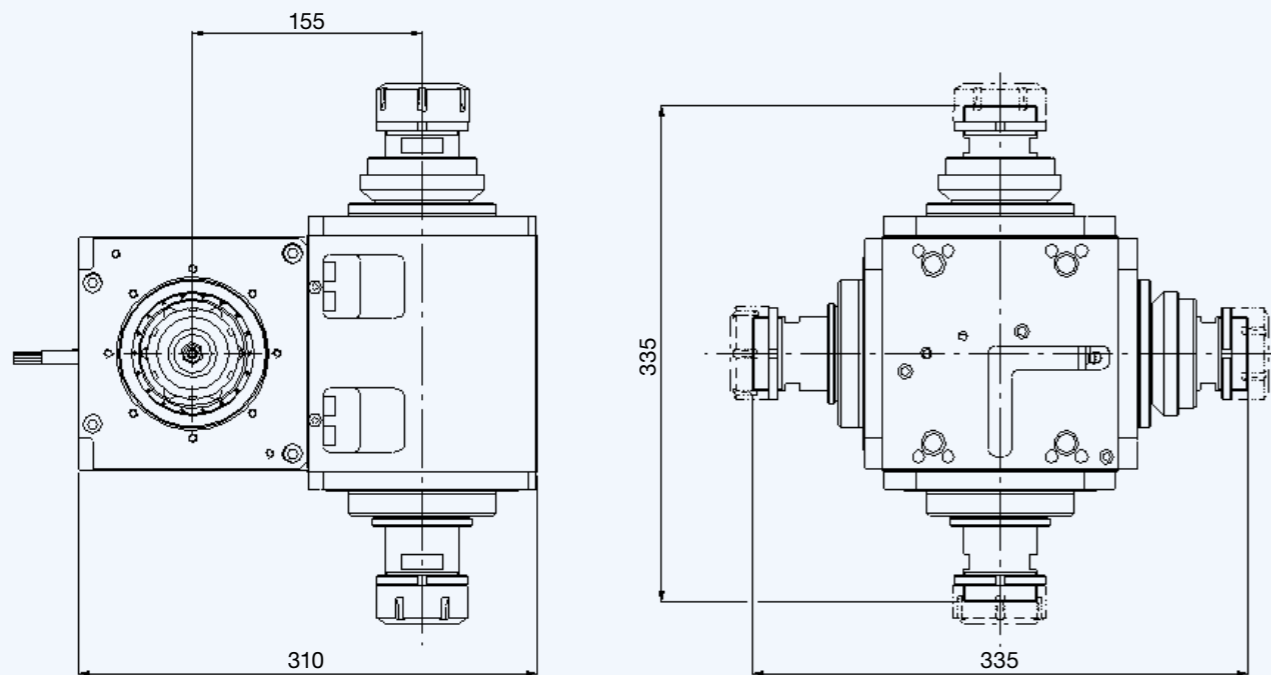
EQUIPAGGIAMENTO / EQUIPMENT

- ER 40 DX-SX**
- Liquid cooling**
- Manual tool change (M.T.C)**
- Grease lubrication**
- Ceramic ball bearings**
- Labyrinth with air seal**

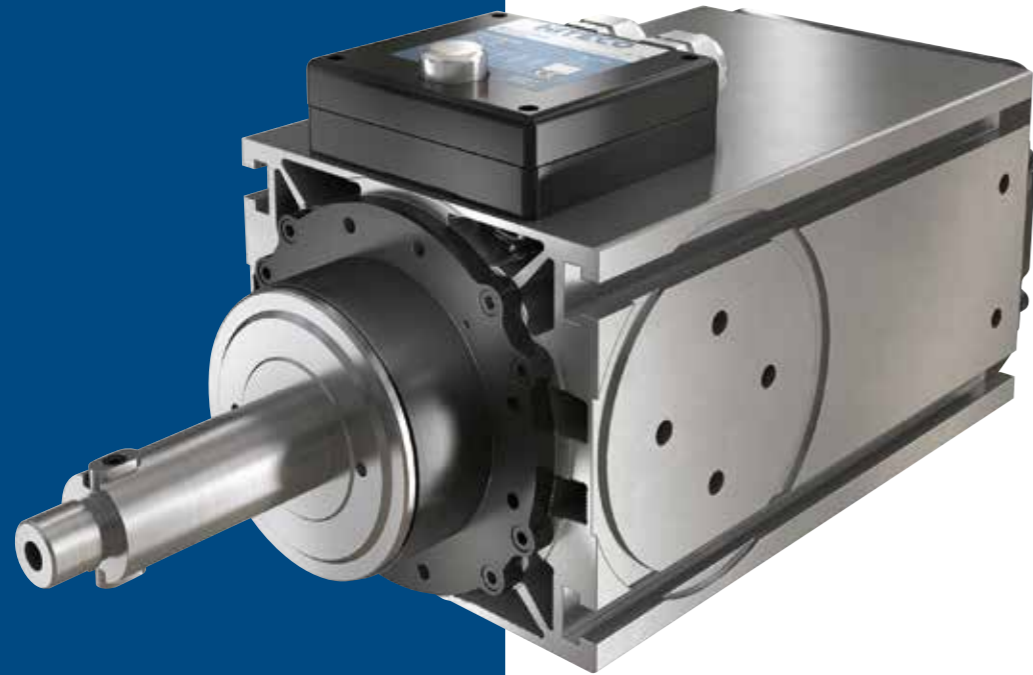
LAYOUT ER 40 DX-SX

2 ENDS

SPINDLES WITH ER COLLET



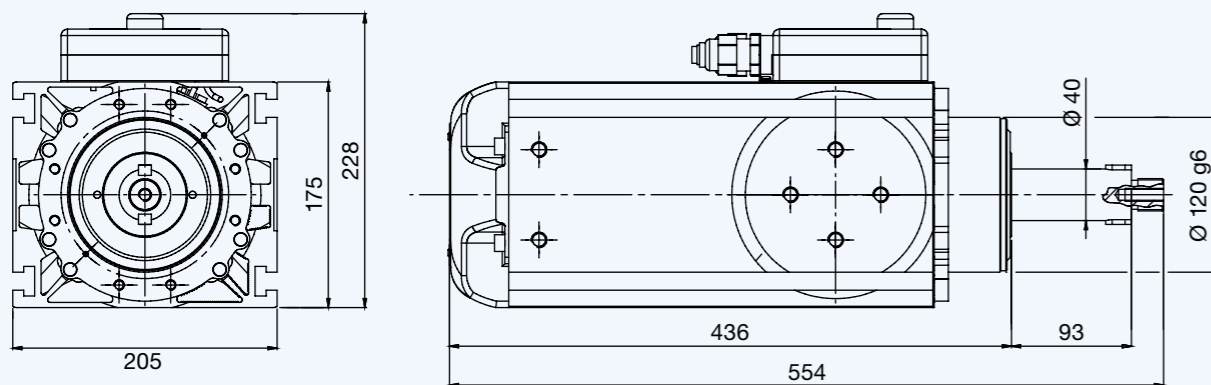
MULTITECH MQH



SUITABLE FOR MACHINING WOOD
POWER UP TO 13 KW
SHAFT ROTATION SENSOR

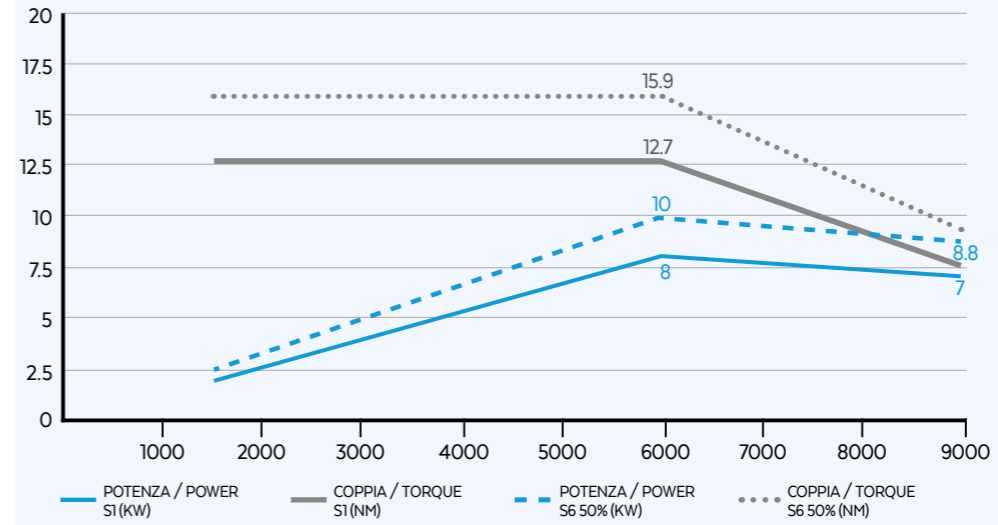
LAYOUT D40

SPINDLES WITH CYLINDRICAL SHAFT



MQH-113/6 9

PRESTAZIONI / PERFORMANCES



SPECIFICHE TECNICHE / TECHNICAL SPECIFICATIONS

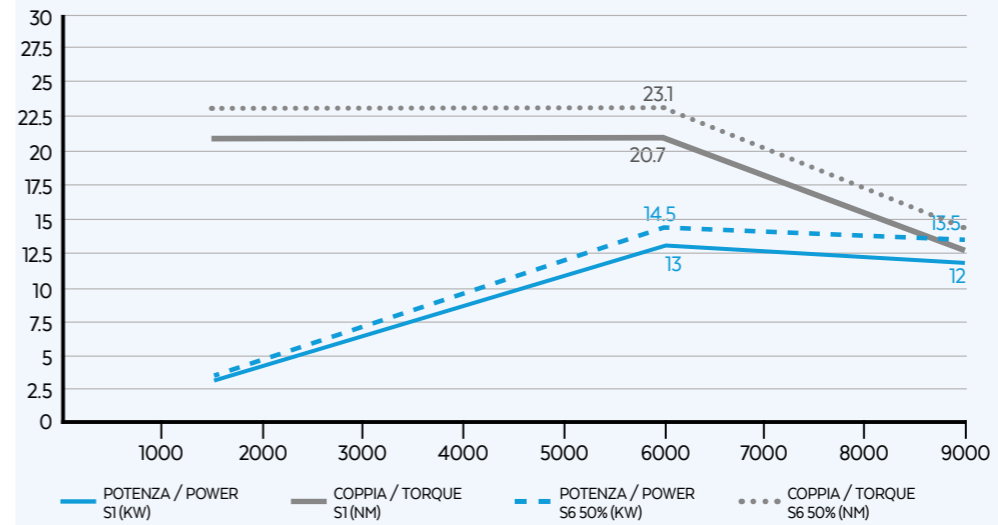
S1-S6 kW 8/10
S1-S6 A 15.8/18.7
Pol es 4
S1-S6 Nm 12.7/15.9
Volt 380
Supply inverter
rpm 9000
kg 55

EQUIPAGGIAMENTO / EQUIPMENT

Shaft D40
Cooling by shaft-driven fan
Manual tool change (M.T.C.)
Sensors s3 Sensors s3
Steel bearings
Grease lubrication

MQH-113/6 9

PRESTAZIONI / PERFORMANCES



SPECIFICHE TECNICHE / TECHNICAL SPECIFICATIONS

S1-S6 kW 13/14.5
S1-S6 A 25.8/30
Pol es 4
S1-S6 Nm 20.7/23.1
Volt 380
Supply inverter
rpm 9000
kg 55

EQUIPAGGIAMENTO / EQUIPMENT

Shaft D40
Cooling by shaft-driven fan
Manual tool change (M.T.C.)
Sensors s3 Sensors s3
Steel bearings
Grease lubrication

C-AXIS FOR POWERTECH 300-400



Compass Naso corto (NC) con 3 utenze pneumatiche, con servomotore Yaskawa
Compass Short Nose (NC) with 3 pneumatic connections With Yaskawa servo-motor

Compass Naso lungo (NL) con 3 utenze pneumatiche, con servomotore Yaskawa
Compass Long Nose (NL) with 3 pneumatic connections With Yaskawa servo-motor

OPZIONALI / OPTIONS

Disponibile senza servomotore
Available without servomotor

CONO PORTA UTENSILE TOOL HOLDER



Tool holder
Cono porta utensile HSK63A ER 32 M40X1.5_DX

Tool holder
Cono porta utensile HSK63F ER 32 M40X1.5_DX

Tool holder
Cono porta utensile ISO30 ER 32 M40X1.5_DX

Per altre tipologie di pinze porta utensile, contatta lo staff Hiteco
For other tool holder types, please contact Hiteco staff

PINZA PORTA UTENSILE TOOL FINGER



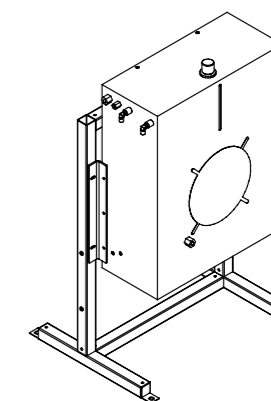
Tool finger
Pinza porta utensile HSK 63A

Tool finger
Pinza porta utensile HSK 63F

Tool finger
Pinza porta utensile ISO 30

Per altre tipologie di pinze porta utensile, contatta lo staff Hiteco
For other tool finger sizes, please contact Hiteco staff

SCAMBIATORE DI CALORE HEAT EXCHANGER



Potenza di raffreddamento
Cooling power 5000 W with liquid temperature +40°, air temperature +20°C

Portata liquido
Liquid flow 4 lt/min at 5,5 bar

Capacità serbatoio
Tank capacity 5 lt

OPZIONALI / OPTIONS

Disponibile versione senza supporto e tubi flessibili
Available without support and flexible hoses

RIFERIMENTO TESTINE ANTI-ROTATION SLEEVES

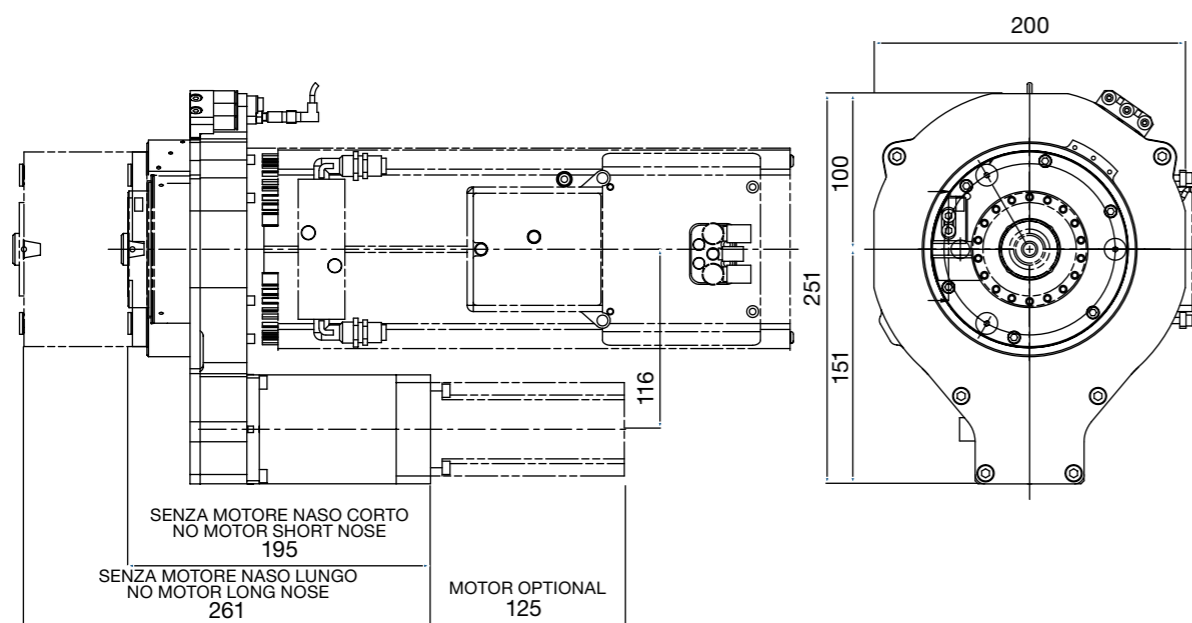


Riferimento testine per PT200: 2 posizioni, senza utenze pneumatiche
Anti-rotation sleeve for PT 200: 2 positions Without pneumatic connections

Riferimento testine per PT250: 2 posizioni, con o senza utenze pneumatiche
Anti-rotation sleeves for PT 250: 2 positions With or without pneumatic connections

Riferimento testine per PT300-400: 2 posizioni, disponibile in versione Naso corto e Naso lungo (NC e NL), con e senza utenze pneumatiche
Anti-rotation sleeves for PT 300-400: 2 positions Available with Short and Long Nose (NC and NL) With or without pneumatic connections

Riferimento testine per mandrini 5 assi (con 1 utenza pneumatica)
Anti-rotation sleeves for 5-axis spindles With 1 pneumatic connection







ss 258 Marecchia, 34 47826 Villa Verucchio, Rimini - Italia
tel. +39.0541.674940 - fax +39.0541.674962
www.hiteco.net